

2U Raspberry Pi 4B enclosure with fan vent

Product overview

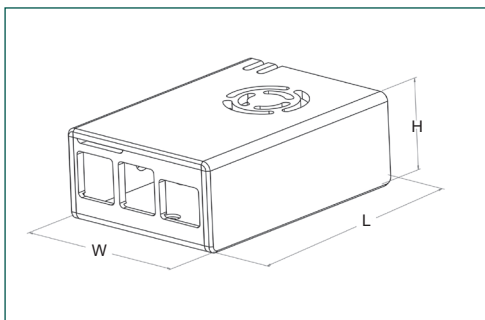
Clip together 2-U-Shell enclosure for the Raspberry Pi 4B. Manufactured using robust 3mm textured UL94-HB HIPS.

- Pi 4B PCB fits into grooves (no screws)
- Venting on top of case
- GPIO ribbon cable slot on the underside
- CSI slot for camera cable
- Rear slots for SD card and LEDs
- Supplied with push fit rubber feet
- Fan fixing holes can be easily knocked out using screws
- Recommended for use with a 30mm fan
- In house testing of the PCU to operating temperature of 44°C, when used in conjunction with a fan
- Compatible with Pi HAT POE
- Also available in high temperature ABS (subject to MOQ)
- Transform your Raspberry Pi enclosure into a DIN Rail mountable solution with our CDR-Bracket (not included).

CBRPI4B-2U



Raspberry Pi 4 PCB not included



PART NO.	COLOUR	MATERIAL TYPE	MATERIAL TEMPERATURE	UL RATING	MATERIAL THICKNESS	DIMENSIONS
CBRPI4B-2U-BK	Black	High impact polystyrene	Rated for use up to 70°C	HB	3mm	L 89.3mm x W 62.4mm x H 34mm
CBRPI4B-2U-WH	White	High impact polystyrene	Rated for use up to 70°C	HB	3mm	L 89.3mm x W 62.4mm x H 34mm
CBRPI4B-2U-DG	Dark grey	High impact polystyrene	Rated for use up to 70°C	HB	3mm	L 89.3mm x W 62.4mm x H 34mm

KEY FEATURES

Clip-together design | Raspberry Pi 4B clips in without screws
Vents in the top for heat dissipation

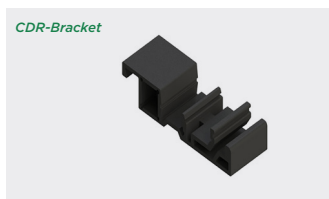


ACCESSORIES

DIN Rail mount bracket

- Screws included

CDR-Bracket



PART NO.	DESCRIPTION
CDR-Bracket	DIN Rail mount bracket





268
HANDHELD CASES

292
UNIVERSAL
ENCLOSURES

318
HEAVY DUTY
AND ELECTRICAL
ENCLOSURES

342
DESKTOP AND
INSTRUMENT
CASES

348
DEVELOPMENT
BOARD
ENCLOSURES

367
ROOM SENSOR
ENCLOSURES

370
CUSTOM SIZED
ENCLOSURES

PLASTIC ENCLOSURES

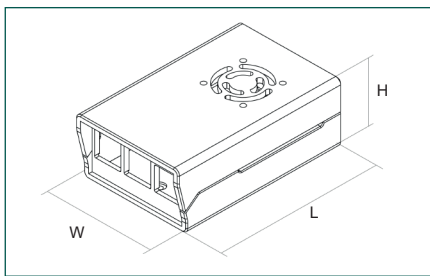
350

4P Raspberry Pi 4B enclosure

Product overview

4-part clip together enclosure for the Raspberry Pi 4B. Manufactured using robust 3mm textured UL94-HB HIPS.

- Pi 4B PCB fits into grooves (no screws)
- Compatible with Raspberry Pi HAT POE
- Fan venting on top of case (fan not included)
- Fan venting designed for 30mm fan or Pi HAT POE
- GPIO ribbon cable slot on the side
- CSI slot for camera cable
- Rear slots for SD card and LEDs
- Transform your Raspberry Pi enclosure into a DIN Rail mountable solution with our CDR-Bracket (not included).



Raspberry Pi 4 PCB not included



PART NO.	COLOUR	MATERIAL TYPE	MATERIAL TEMPERATURE	UL RATING	MATERIAL THICKNESS	DIMENSIONS
CBRPI4B-4P-BK	Black with white panels	High impact polystyrene	Rated for use up to 70°C	HB	3mm	L99mm x W 62.4mm x H 36.6mm

KEY FEATURES

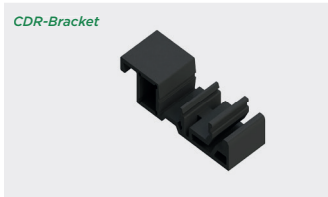
Clip-together design | Raspberry Pi 4B clips in without screws | Venting slots for 30mm fan or Pi HAT POE



ACCESSORIES

DIN Rail mount bracket

- Screws included



PART NO.	DESCRIPTION
CDR-Bracket	DIN Rail mount bracket



268
HANDHELD CASES

292
UNIVERSAL
ENCLOSURES

318
HEAVY DUTY
AND ELECTRICAL
ENCLOSURES

342
DESKTOP AND
INSTRUMENT
CASES

348
DEVELOPMENT
BOARD
ENCLOSURES

367
ROOM SENSOR
ENCLOSURES

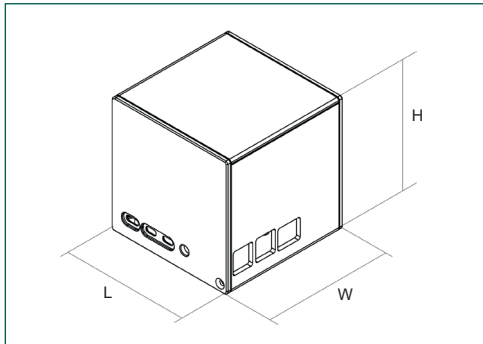
370
CUSTOM SIZED
ENCLOSURES

Cube Raspberry Pi 4B enclosure (Pi4Cube)

Product overview

Secure slide together construction, with 2x S/S T10 torx-pin retaining M3 screws and M2 threaded PCB pillars and screws (screws supplied)

- Space inside enclosure for fitting HATS and multiple other components
- Can be orientated in multiple ways, with feet fitted accordingly
- Supplied with screws for PCB and enclosure, strip of 4 stick on feet (not fitted)
- Can be easily customised with digital printing, cut-outs and more



CBRPI4B-CB



Raspberry Pi 4 PCB not included



SPECIFICATION	
Material	Black, white, dark grey: High Impact polystyrene rated for 5°C - 70°C Gloss white: Acrylic capped ABS rated for 5°C - 85°C
UL rating	UL94-HB
Material thickness	3mm

PART NO.	COLOUR	LENGTH	WIDTH	HEIGHT
CBRPI4B-CB-BK	Black	92.5 mm	92.5 mm	92.5 mm
CBRPI4B-CB-WH	White	92.5 mm	92.5 mm	92.5 mm
CBRPI4B-CB-GW	Gloss white	92.5 mm	92.5 mm	92.5 mm
CBRPI4B-CB-DG	Dark grey	92.5 mm	92.5 mm	92.5 mm

KEY FEATURES

Slide together construction | Unique cube shape | Large internal volume





268
HANDHELD CASES

292
UNIVERSAL
ENCLOSURES

318
HEAVY DUTY
AND ELECTRICAL
ENCLOSURES

342
DESKTOP AND
INSTRUMENT
CASES

348
DEVELOPMENT
BOARD
ENCLOSURES

367
ROOM SENSOR
ENCLOSURES

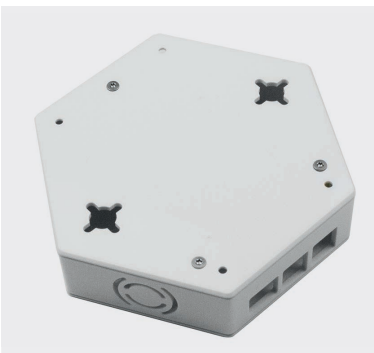
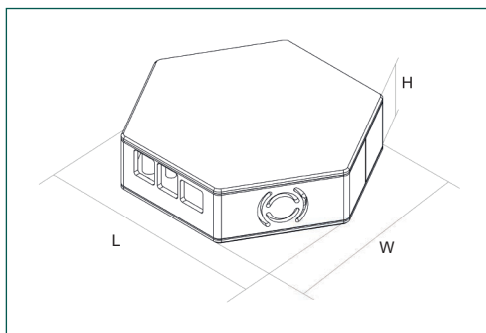
370
CUSTOM SIZED
ENCLOSURES

HEX Raspberry Pi 4B enclosure (Pi4Hex)

Product overview

Hexagon shaped enclosure for the Raspberry Pi 4B. Ideal for smart home IoT devices.

- Pi 4B PCB screws into x4 pillars (screws supplied)
- Fan venting on side of case (fan not included)
- Fan venting designed for 30mm fan
- Cut-outs for ethernet and USB ports only
- Rear cable exit for all other connections
- Rear ventilation
- Keyhole mounting slots on the underside
- Removable cover retained by screws (supplied)
- Supplied with push fit rubber feet



SPECIFICATION	
Material	Black and white: High Impact polystyrene rated for +5°C to +70°C Gloss white: Acrylic capped ABS rated for +5°C to +85°C
UL rating	UL94-HB
Material thickness	3mm

PART NO.	COLOUR	LENGTH	WIDTH	HEIGHT
CBRPI4B-HX-BK	Black	148.61mm	129.9mm	36.5mm
CBRPI4B-HX-WH	White	148.61mm	129.9mm	36.5mm
CBRPI4B-HX-GW	Gloss white	148.61mm	129.9mm	36.5mm

KEY FEATURES

Unique hexagon shape design | Keyhole surface mounting | Venting slots for 30mm fan



PLASTIC ENCLOSURES

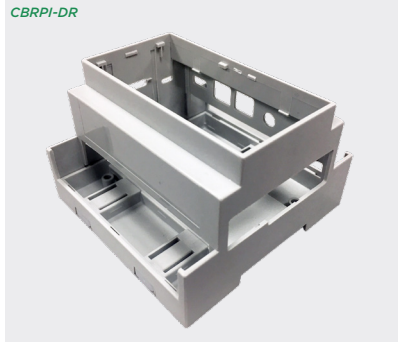
DIN Rail Pi 4B enclosures

Product overview

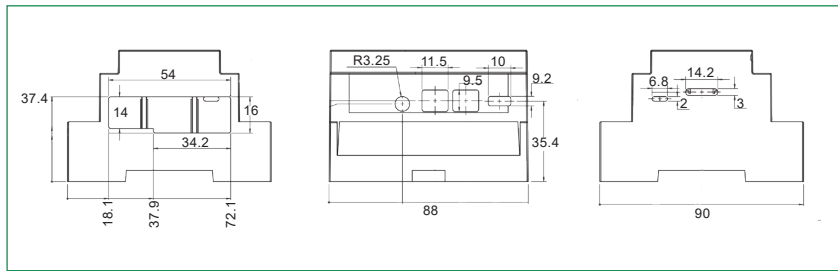
No screws, no glue – just add your **Raspberry Pi** filling!

- Designed to house the Raspberry Pi 4B via clip-in design - **NO SCREWS REQUIRED!**
- All cut-outs are pre-cut into the case - **NO MODS REQUIRED!**
- Pi 4 board is mounted upside down so that a Pi HAT can be fitted
- Terminal guards can be left off to increase air flow
- Slot for display ribbon cable
- DIN Rail mountable or wall mountable
- Moulded in PC (polycarbonate)

CBRPI-DR



Raspberry Pi B+, P2, P3 PCB not included



PART NO.	MATERIALS	DIMENSIONS
CBRPI-DR-4-GRY	Thickness 3mm	L 88mm x W 90mm x H 58mm
CBRPI-DR-4-CLR	Thickness 3mm	L 88mm x W 90mm x H 58mm

KEY FEATURES

High quality polycarbonate | DIN Rail mountable | No mods required

