

- UNIVERSAL ENCLOSURES
- HAND HELD CASES
- HEAVY DUTY ENCLOSURES
- DIN RAIL BOXES

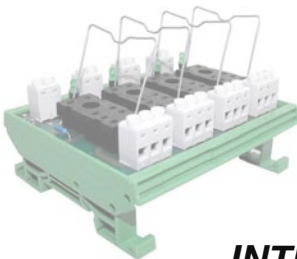
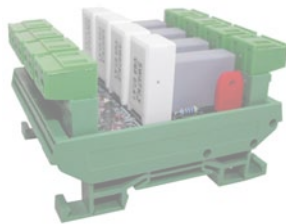
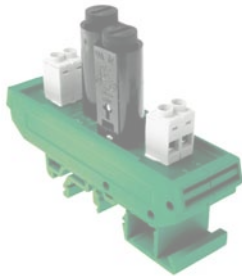
INTERFACE SUPPORTS

- CONTROL STATIONS
- DIECAST & METAL BOXES
- DESKTOP & INSTRUMENT CASES
- POTTING BOXES
- 19" ENCLOSURES
- 19" SUBRACKS
- CUSTOM SIZED ENCLOSURES
- CUSTOM SERVICES

EMPTY INTERFACE SUPPORTS

Mini Series 72mm Empty Modular Interface Supports	p44
Mini Series 72mm Empty Extruded Interface Supports	p45
Euro Series 107mm Empty Modular Interface Supports	p46
Euro Series 107mm Empty Extruded Interface Supports	p47





INTERFACE MODULES

For a range of Relay, IDC and sub-miniature D socket, diode, fuse and opto-isolator interfacing modules, mounted within our Interface supports for DIN rail mounting, see interface modules and supports section of our Components catalogue.

UNIVERSAL ENCLOSURES

HAND HELD CASES

HEAVY DUTY ENCLOSURES

DIN RAIL BOXES

INTERFACE SUPPORTS

CONTROL STATIONS

DIECAST & METAL BOXES

DESKTOP & INSTRUMENT CASES

POTTING BOXES

19" ENCLOSURES

19" SUBRACKS

CUSTOM SIZED ENCLOSURES

CUSTOM SERVICES



+44 (0)1638 716101
info@camdenboss.com
www.camdenboss.com

We operate a constant improvement policy,
our products are subject to change without notice.

INTERFACE SUPPORTS

Mini Series 72mm Empty Modular Interface Supports

- Suitable for 72mm width PCB's
- Modular Construction for easy Assembly
- Snap fit Din Rail mounting fixtures
- Moulded in green UL 94V0 flame retardant PA
- Wall mounting kit option
- Terminal blocks available in same colour
- Integral marker facility
- Registered Design No: 2106418®
- Also available in different colours
- End section foot for top hat DIN rail

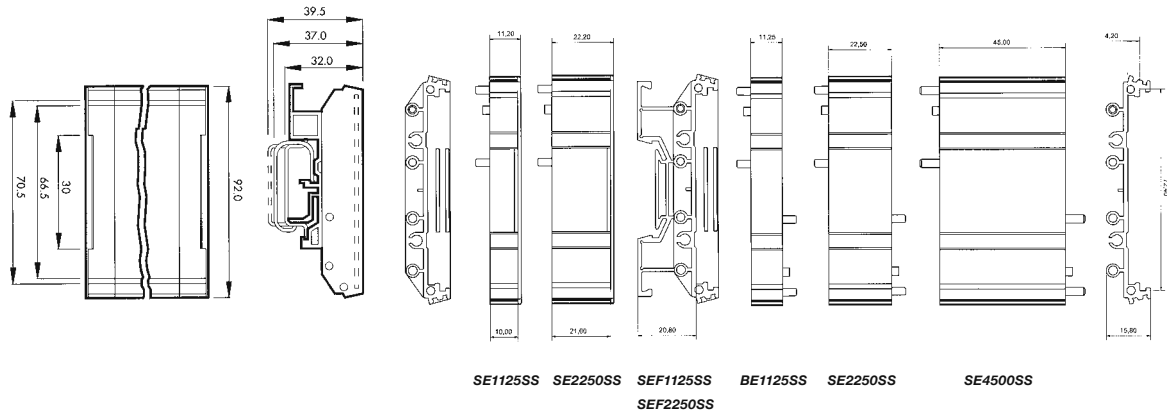
CIME/M



PCB LENGTH	BASE ELEMENT			END SECTION		PART COUNT
	11.25mm	22.5mm	45.0mm	11.25mm	22.5mm	
20mm				2		2
31.25mm				1	1	2
42.5mm				2		2
53.75mm	1			2		3
65mm		1		2		3
76.25mm			1	1	1	3
87.5mm			1	2		3
98.75mm	1		1	2		4
110mm		1	1	2		4
121.25mm			2	1	1	4
132.5mm			2		2	4
143.75mm	1		2		2	5
155mm		1	2		2	5
166.25mm		1	1		3	5
177.5mm			2		3	5

The Table above shows how, for a given PCB Length, modules can be selected to make an interface support

TYPE NO.	DESCRIPTION	WIDTH
CIME/M/BE1125SS	Base element	11.25mm
CIME/M/BE2250SS	Base element	22.5mm
CIME/M/BE4500SS	Base element	45.0mm
CIME/M/SE1125SS	End Section	11.25mm
CIME/M/SE2250SS	End Section	22.5mm
CIME/M/SEF1125SS	End Section with foot	11.25mm
CIME/M/SEF2250SS	End Section with foot	22.5mm
CIME/M/FE0000SS	Foot element	



Wall Mounting Plates

- Flush and raised surface mounting plates
- Press into sides of end section without tool
- Use foot element on long lengths with raised plates

TYPE NO	STYLE
CIME/M/MPF	Flush
CIME/M/MPR	Raised



INTERFACE SUPPORTS

Mini Series 72mm Empty Extruded Interface Support

- Suitable for 72mm width PCB's
- Snap fit Din Rail mounting fixtures
- Available in pre-cut lengths up to 2 metres
- Terminal blocks available in same colour



TYPE NO.	DESCRIPTION
CIME/M/BE2000E	2m Extruded base element
CIME/M/EC0000E	End cover
CIME/M/SCREWE	Fixing screws for end covers
CIME/M/FE0000E	Foot element

Complete Modules

- Cut to length base element
- One end & feet supplied pre-assembled
- One end & screws supplied loose

LENGTH	NO. OF FEET
16-50mm	1
51-150mm	2
151-300mm	3
301-500mm	4
501-750mm	5
751-999mm	6

TYPE NO.	DESCRIPTION
CIM72/xxxx/E	Complete module

xxxx = PCB length required minus 4mm
e.g. CIM107/126/E
for complete module PCB length 130

UNIVERSAL ENCLOSURES

HAND HELD CASES

HEAVY DUTY ENCLOSURES

DIN RAIL BOXES

INTERFACE SUPPORTS

CONTROL STATIONS

DIECAST & METAL BOXES

DESKTOP & INSTRUMENT CASES

POTTING BOXES

19" ENCLOSURES

19" SUBRACKS

CUSTOM SIZED ENCLOSURES

CUSTOM SERVICES



INTERFACE SUPPORTS

Euro series 107mm Empty Modular Interface Support

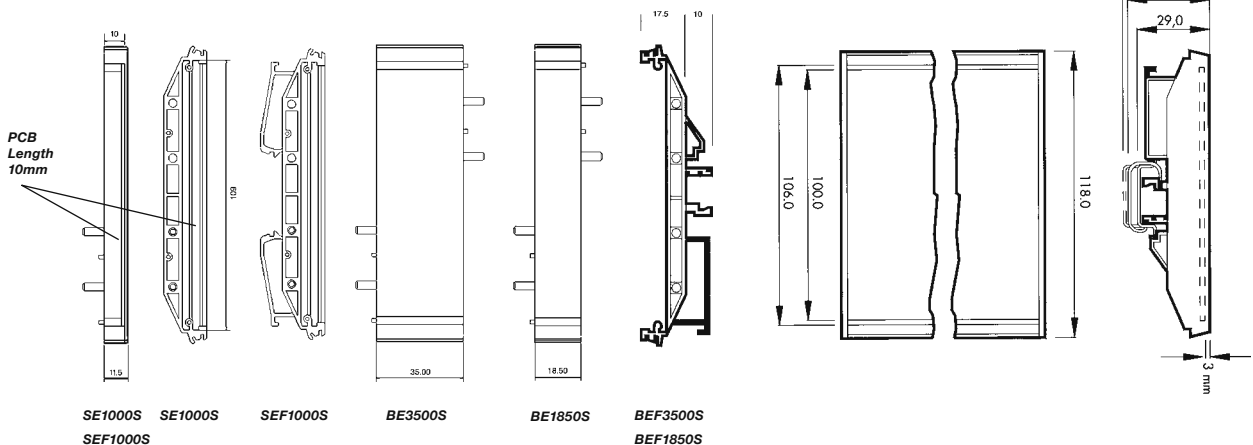
- Suitable for 107mm width PCB's
- Modular Construction for easy assembly
- Snap fit Din Rail mounting fixtures
- Moulded in green UL 94V0 flame retardant PA
- Terminal blocks available in same colour
- Integral marker facility
- Integral Din rail mounting clip



PCB LENGTH	END SECTION	BASE ELEMENT		PART COUNT	
		11.5mm	18.5mm		35mm
20mm	2			2	
38.5mm	2		1	3	
55mm	2			1	3
73.5mm	2		1	1	4
90mm	2			2	4
108.5mm	2		1	2	5
125mm	2			3	5
143.5mm	2		1	3	6
160mm	2			4	6
178.5mm	2		1	4	7
195mm	2			5	7
213.5mm	2		1	5	8
230mm	2			6	8
248.5mm	2		1	6	9
265mm	2			7	9

TYPE NO.	DESCRIPTION	WIDTH
CIME/E/BE1850S	Base element	18.5mm
CIME/E/BE3500S	Base element	35mm
CIME/E/BEF1850S	Base element with foot	18.5mm
CIME/E/BEF3500S	Base element with foot	35mm
CIME/E/SE1000S	End Section	11.5mm
CIME/E/SEF1000S	End Section with foot	11.5mm

The Table above shows how, for a given PCB Length, modules can be selected to make an interface support



- UNIVERSAL ENCLOSURES
- HAND HELD CASES
- HEAVY DUTY ENCLOSURES
- DIN RAIL BOXES
- INTERFACE SUPPORTS
- CONTROL STATIONS
- DIECAST & METAL BOXES
- DESKTOP & INSTRUMENT CASES
- POTTING BOXES
- 19" ENCLOSURES
- 19" SUBRACKS
- CUSTOM SIZED ENCLOSURES
- CUSTOM SERVICES

INTERFACE SUPPORTS

Euro series 107mm Empty Extruded Interface Support

- Suitable for 107mm width PCB's
- Snap fit Din Rail mounting fixtures
- Available in pre-cut lengths up to 2 metres
- Terminal blocks available in same colour



TYPE NO.	DESCRIPTION
CIME/E/BE2000E	2m Extruded base element
CIME/E/EC0000E	End cover
CIME/E/SCREWE	Fixing screws for end covers
CIME/E/FE0000E	Foot element

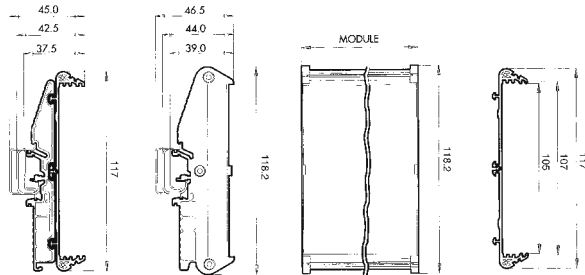
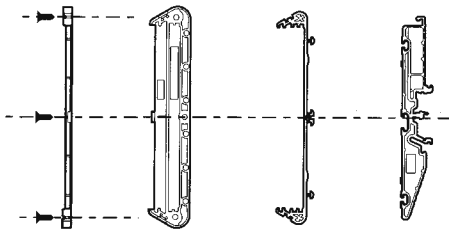
Complete Modules

- Cut to length base element
- One end & feet supplied pre-assembled
- One end & screws supplied loose

LENGTH	NO. OF FEET
16-50mm	1
51-150mm	2
151-300mm	3
301-500mm	4
501-750mm	5
751-999mm	6

TYPE NO.	DESCRIPTION
CIM107/xxxx/E	Complete module

xxxx = PCB length required minus 4mm
e.g. CIM107/126/E
for complete module PCB length 130



UNIVERSAL ENCLOSURES

HAND HELD CASES

HEAVY DUTY ENCLOSURES

DIN RAIL BOXES

INTERFACE SUPPORTS

CONTROL STATIONS

DIECAST & METAL BOXES

DESKTOP & INSTRUMENT CASES

POTTING BOXES

19" ENCLOSURES

19" SUBRACKS

CUSTOM SIZED ENCLOSURES

CUSTOM SERVICES

