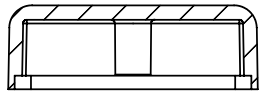


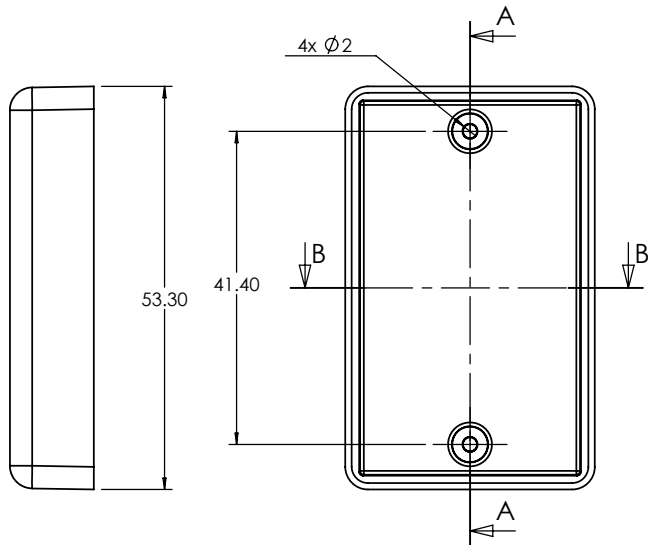
OVERALL ASSEMBLY DIMENSIONS:

EXTERNAL - 65 x 33 x 15

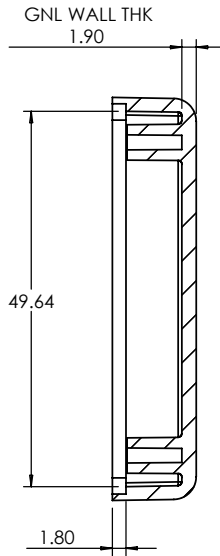
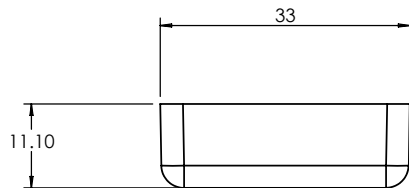
INTERNAL - 49.5 x 29 x 11



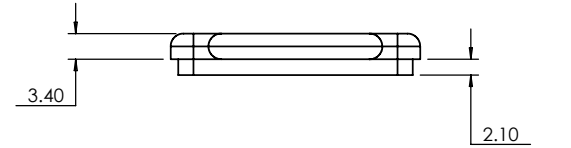
SECTION B-B



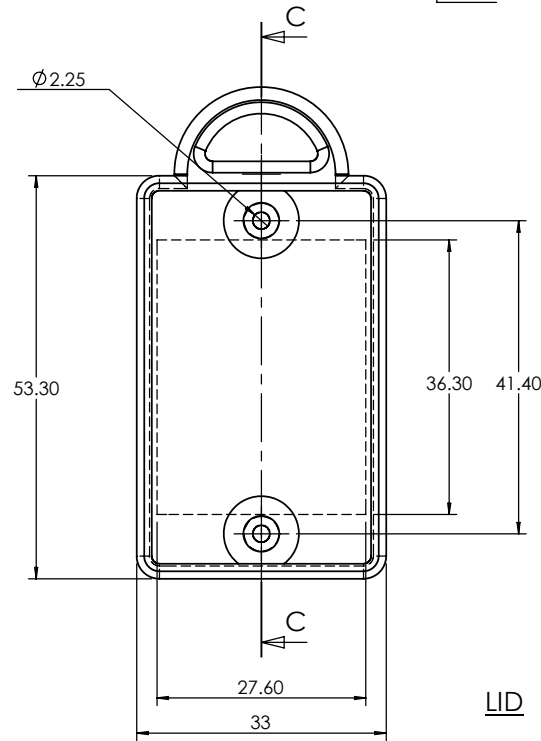
BASE



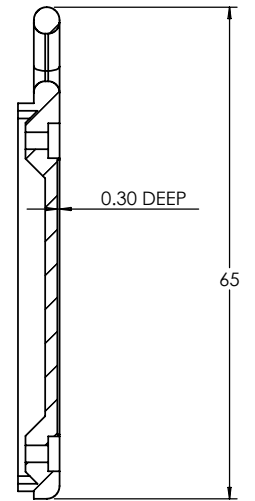
SECTION A-A



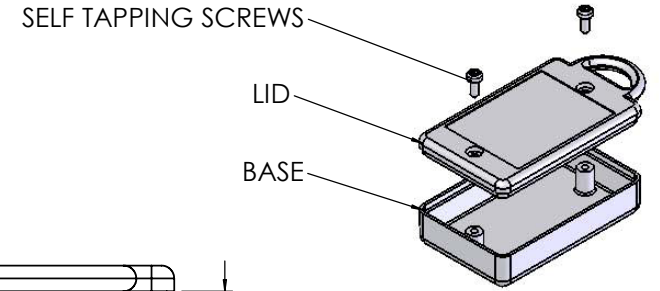
ISO VIEW
1:2



LID



SECTION C-C



				UNLESS OTHERWISE SPECIFIED: DIMENSIONS ARE IN MILLIMETERS		DO NOT SCALE DRAWING		REVISION. 0	
				FINISH: LIGHT SPARK		TITLE: ASSEMBLY DRG			
WWW.ORNATUS.SE				MATERIAL: ABS		DWG NO. 632476		A4	
DRAWN	S.HARDINGE	SJH	19/02/08	PROJECTION.		SCALE. 1 : 1		SHEET 1 OF 1	
CHK'D	-	-	-						