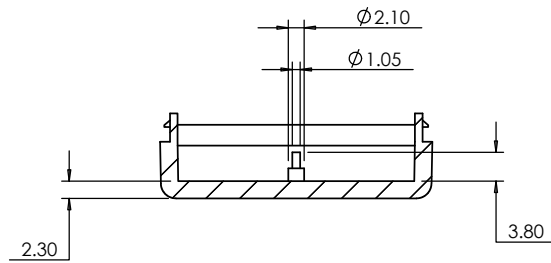
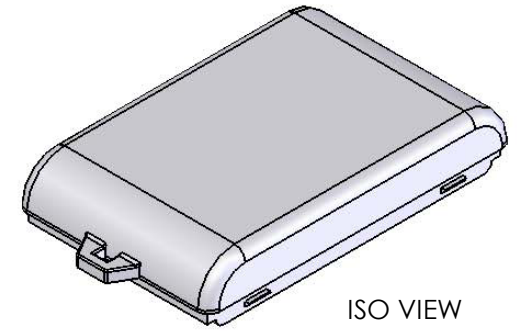


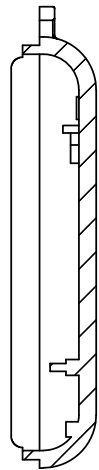
 ORNATUS® WWW.ORNATUS.SE				UNLESS OTHERWISE SPECIFIED: DIMENSIONS ARE IN MILLIMETERS		DO NOT SCALE DRAWING		REVISION. 0	
				FINISH. LIGHT SPARK		TITLE: GNL ASSEMBLY DRG			
DRAWN		NAME	SIGNED	DATE	MATERIAL.		DWG NO.		A4
CHK'D		S.HARDINGE	SJH	25/02/08	ABS		632480...483		
					PROJECTION.		SCALE. 1 : 1		SHEET 1 OF 1



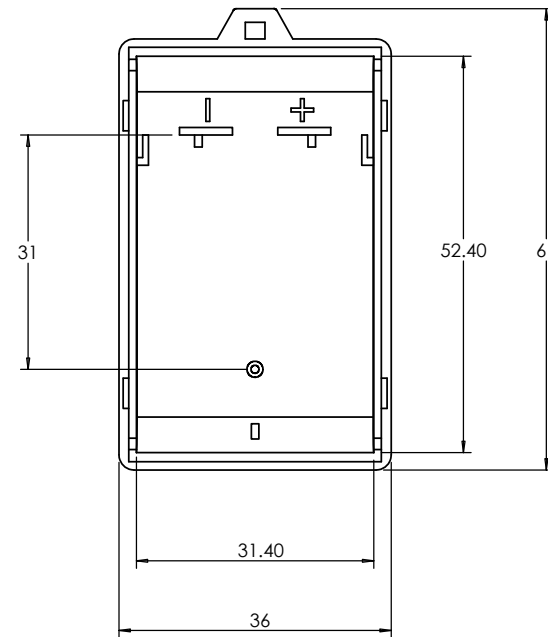
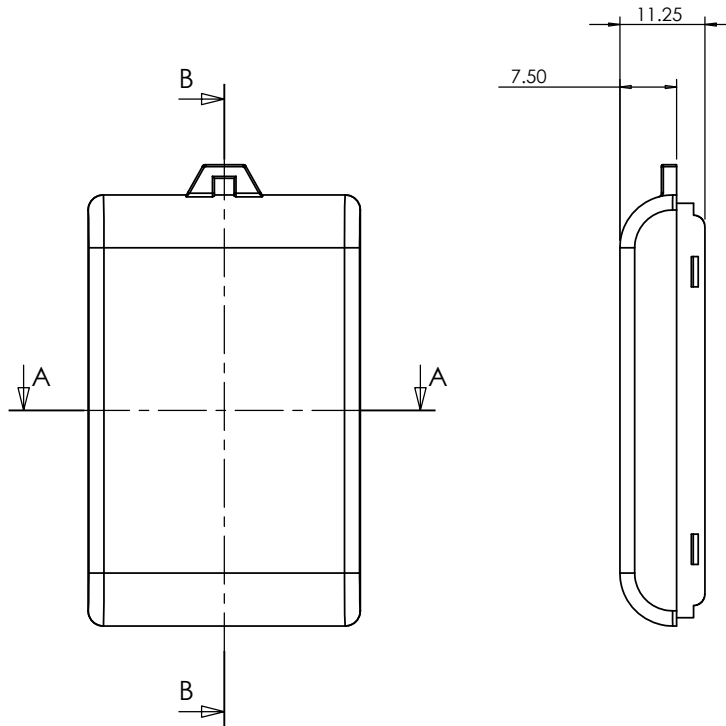
SECTION A-A



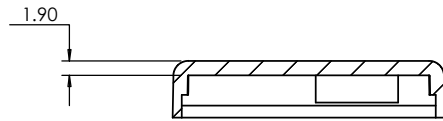
ISO VIEW



SECTION B-B



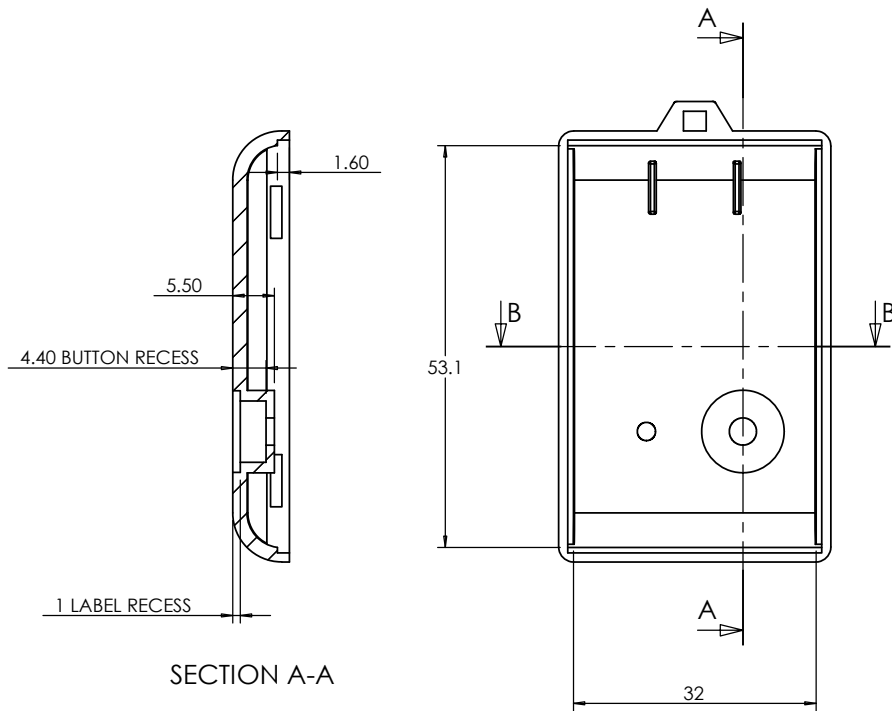
 WWW.ORNATUS.SE				UNLESS OTHERWISE SPECIFIED: DIMENSIONS ARE IN MILLIMETERS		DO NOT SCALE DRAWING		REVISION. 0					
				FINISH: LIGHT SPARK		TITLE: BASE DRG FOR -22/23/43							
DRAWN		NAME		SIGNED		DATE		MATERIAL.		DWG. NO.		A4	
CHK'D		-		-		-		ABS		632481...483 - Base			
				PROJECTION.				SCALE. 1 : 1		SHEET 1 OF 1			



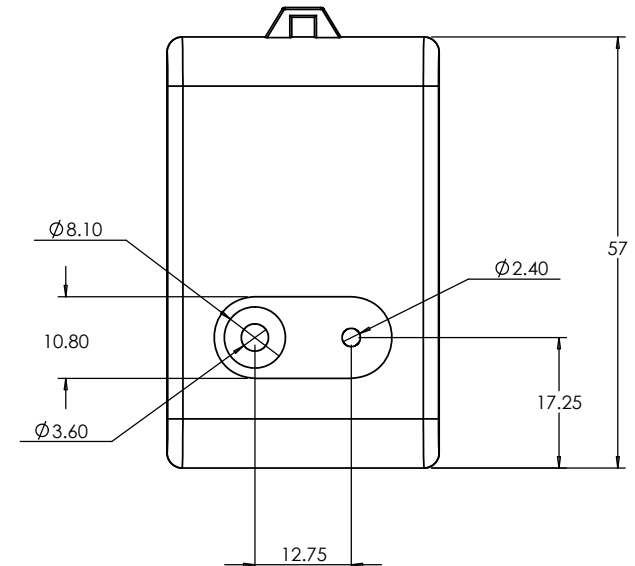
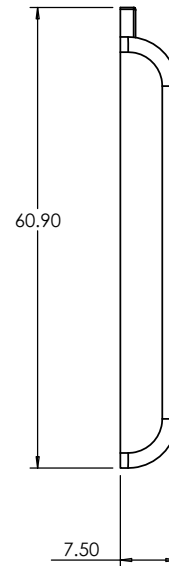
SECTION B-B



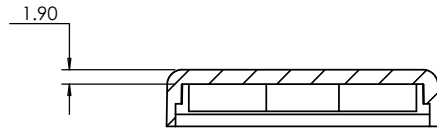
ISO VIEW



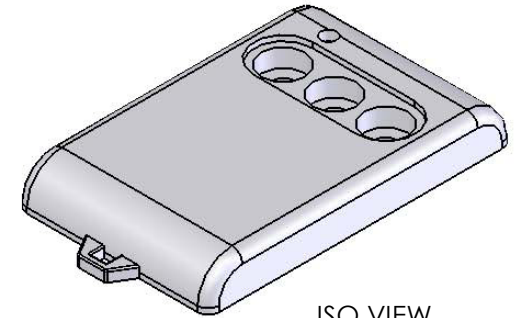
SECTION A-A



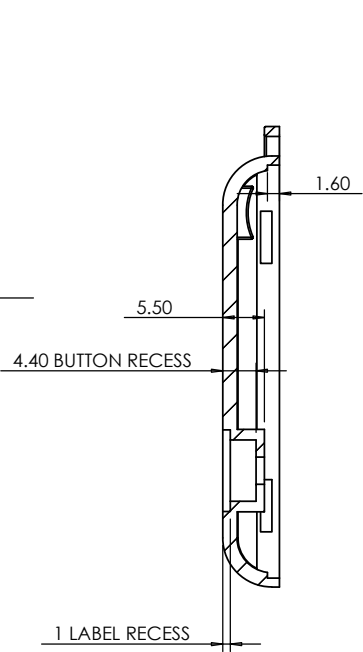
 WWW.ORNATUS.SE				UNLESS OTHERWISE SPECIFIED: DIMENSIONS ARE IN MILLIMETERS		DO NOT SCALE DRAWING		REVISION. 0		
				FINISH: LIGHT SPARK		TITLE: PART DRG FOR -22 LID 1-SMALL-BUTTON				
DRAWN		NAME	SIGNED	DATE	MATERIAL.		DWG. NO.		A4	
CHK'D		S.HARDINGE	SJH	09/04/08	ABS		632481 LID (1-small-button)			
					PROJECTION.		SCALE: 1 : 1		SHEET 1 OF 1	



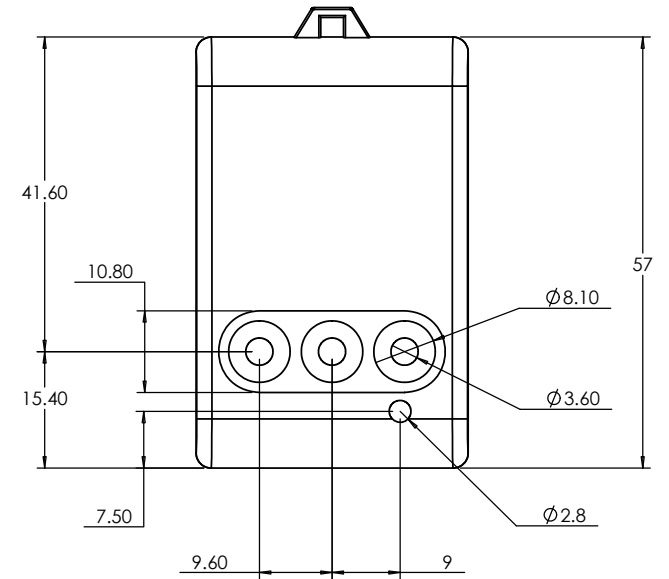
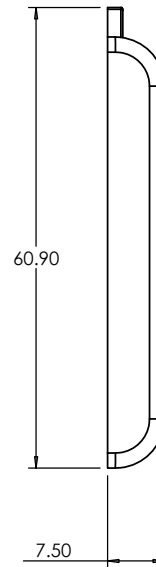
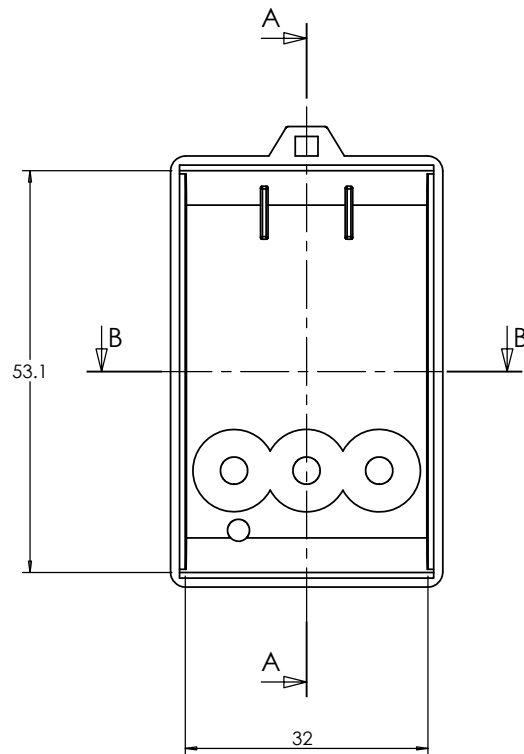
SECTION B-B



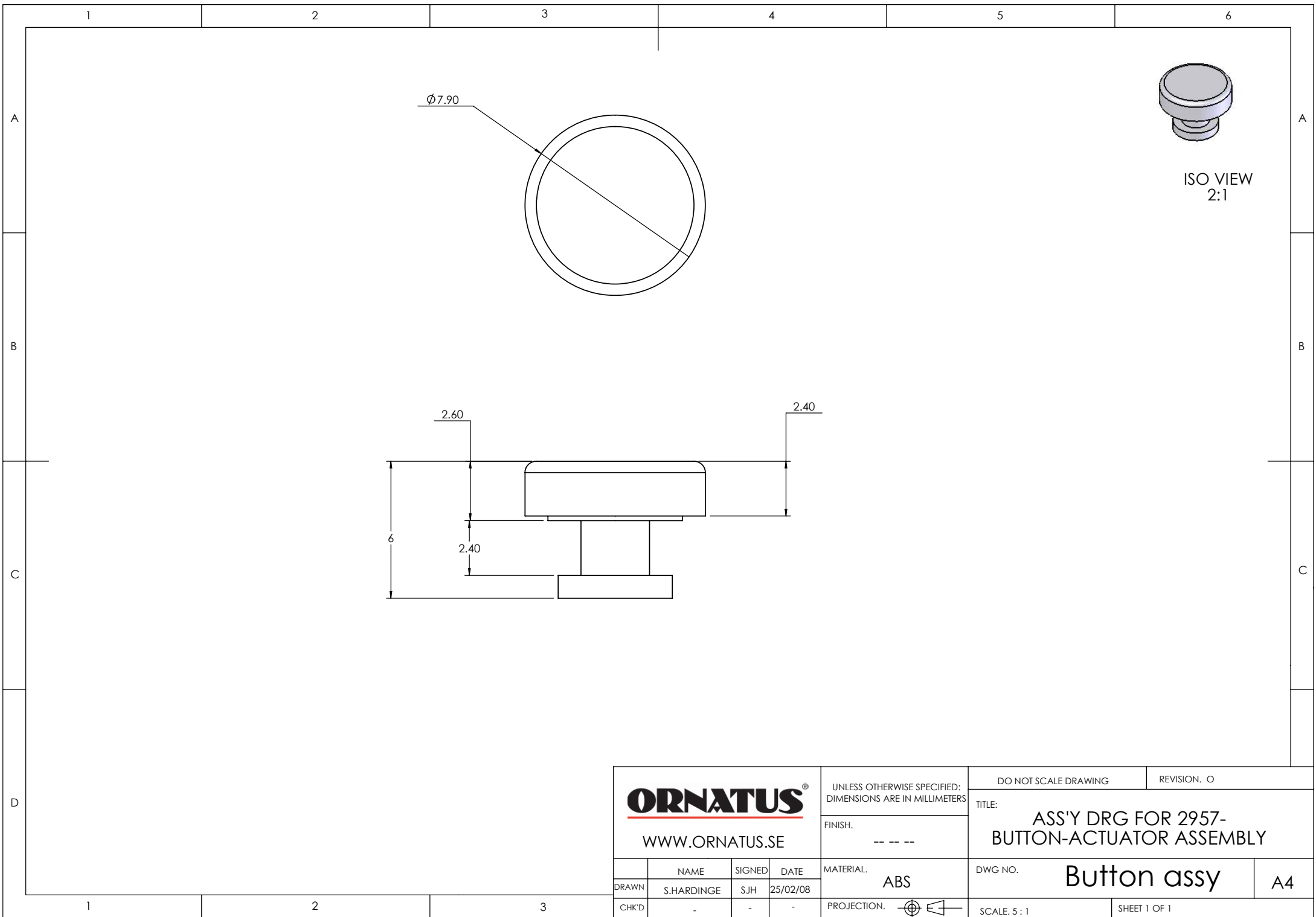
ISO VIEW



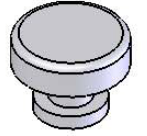
SECTION A-A



 ORNATUS [®] WWW.ORNATUS.SE				UNLESS OTHERWISE SPECIFIED: DIMENSIONS ARE IN MILLIMETERS		DO NOT SCALE DRAWING		REVISION. 0					
				FINISH: LIGHT SPARK		TITLE: PART DRG FOR -43 LID 3-BUTTON							
DRAWN		NAME		SIGNED		DATE		MATERIAL.		DWG NO.		A4	
CHK'D		-		-		-		ABS		632483 LID			
				PROJECTION.				SCALE: 1 : 1		SHEET 1 OF 1			



Ø7.90



ISO VIEW
2:1

2.60

2.40

6

2.40

ORNATUS[®]

WWW.ORNATUS.SE

UNLESS OTHERWISE SPECIFIED:
DIMENSIONS ARE IN MILLIMETERS

FINISH. ---

DO NOT SCALE DRAWING

REVISION. 0

TITLE:
**ASS'Y DRG FOR 2957-
BUTTON-ACTUATOR ASSEMBLY**

	NAME	SIGNED	DATE
DRAWN	S.HARDINGE	SJH	25/02/08
CHK'D	-	-	-

MATERIAL.
ABS

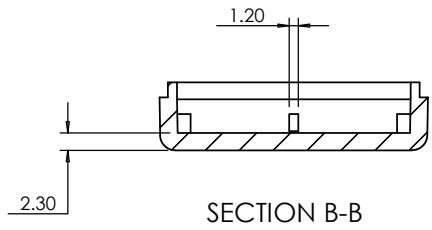
DWG NO. **Button assy**

A4

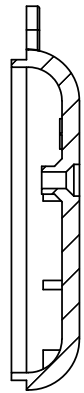
PROJECTION.

SCALE. 5 : 1

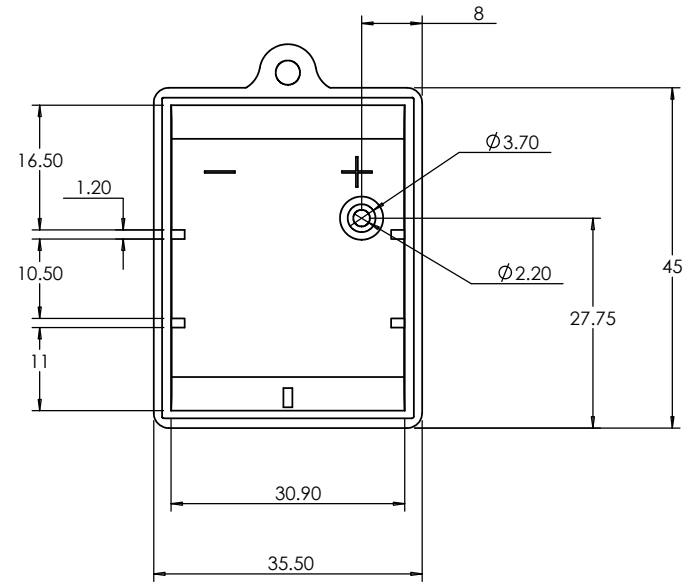
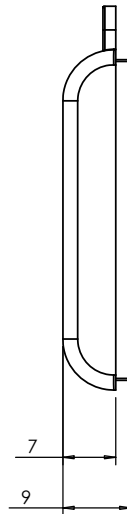
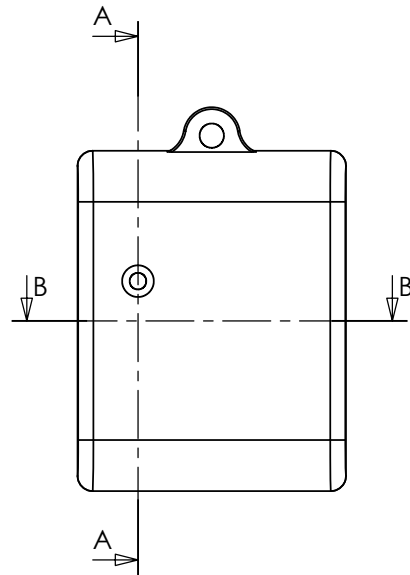
SHEET 1 OF 1




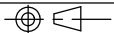
SECTION B-B

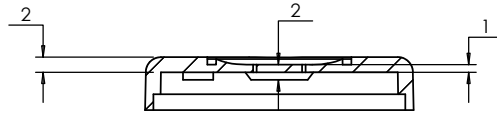


SECTION A-A

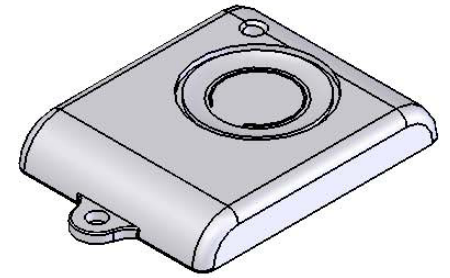


ISO VIEW

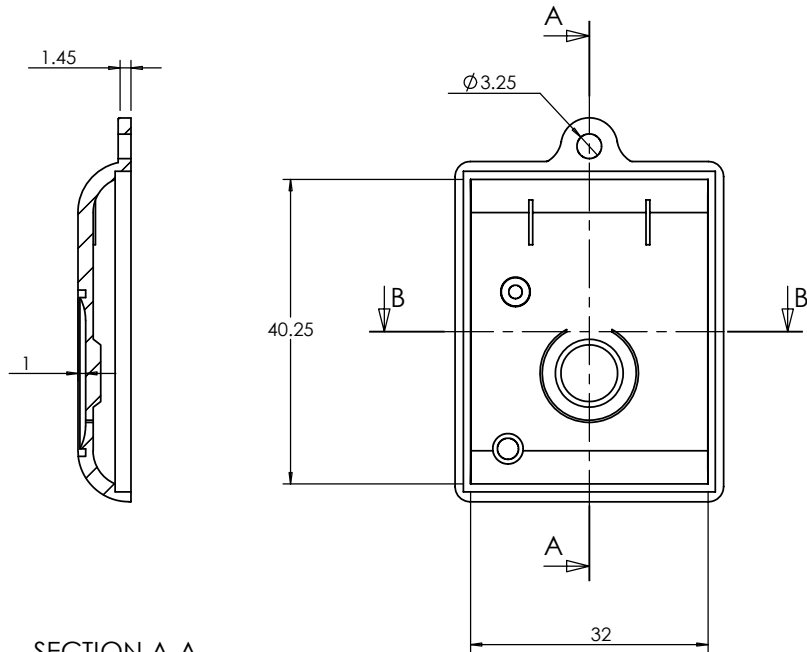
 WWW.ORNATUS.SE				UNLESS OTHERWISE SPECIFIED: DIMENSIONS ARE IN MILLIMETERS		DO NOT SCALE DRAWING		REVISION. O		
				FINISH: LIGHT SPARK		TITLE: PART DRG FOR -46 BASE				
DRAWN S.HARDINGE		SIGNED SJH		DATE 09/04/08		MATERIAL. ABS		DWG NO. 632480 Base		A4
CHK'D -		-		-		PROJECTION. 		SCALE. 1 : 1		SHEET 1 OF 1



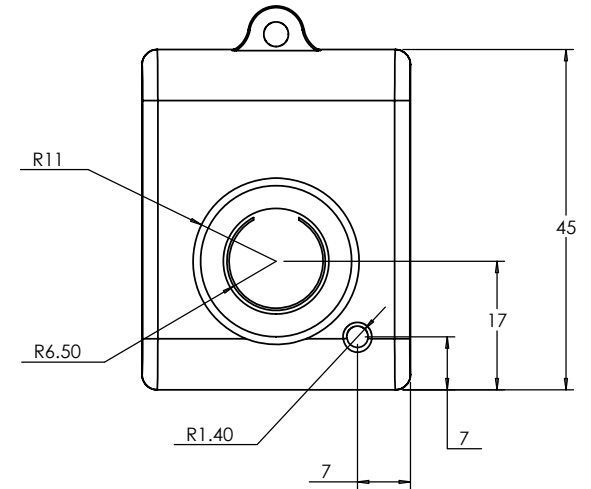
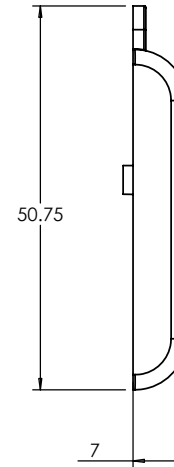
SECTION B-B


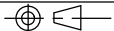


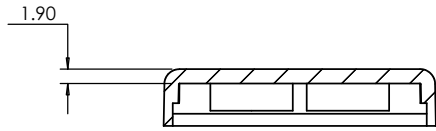
ISO VIEW



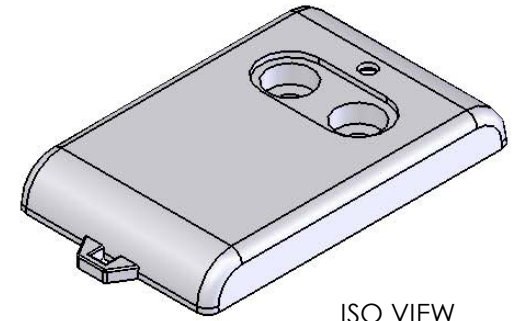
SECTION A-A



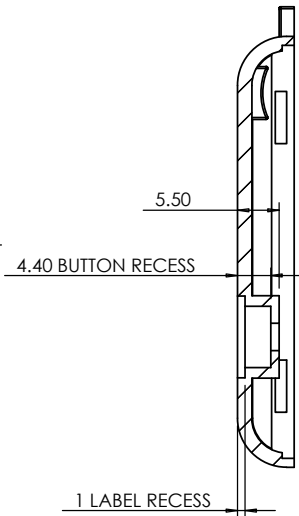
 WWW.ORNATUS.SE				UNLESS OTHERWISE SPECIFIED: DIMENSIONS ARE IN MILLIMETERS		DO NOT SCALE DRAWING		REVISION. 0					
				FINISH: LIGHT SPARK		TITLE: PART DRG FOR -46 LID (1-LARGE-BUTTON)							
DRAWN		NAME		SIGNED		DATE		MATERIAL.		DWG NO.		A4	
CHK'D		-		-		-		ABS		632480 - LID			
				PROJECTION.				SCALE: 1 : 1		SHEET 1 OF 1			



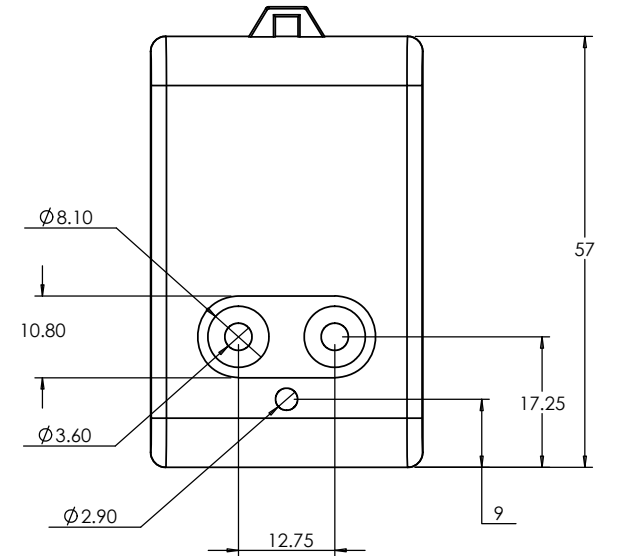
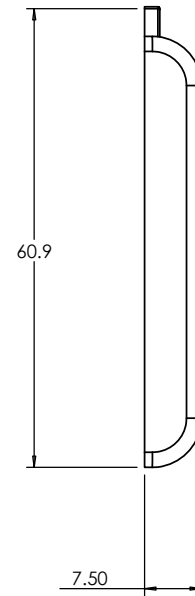
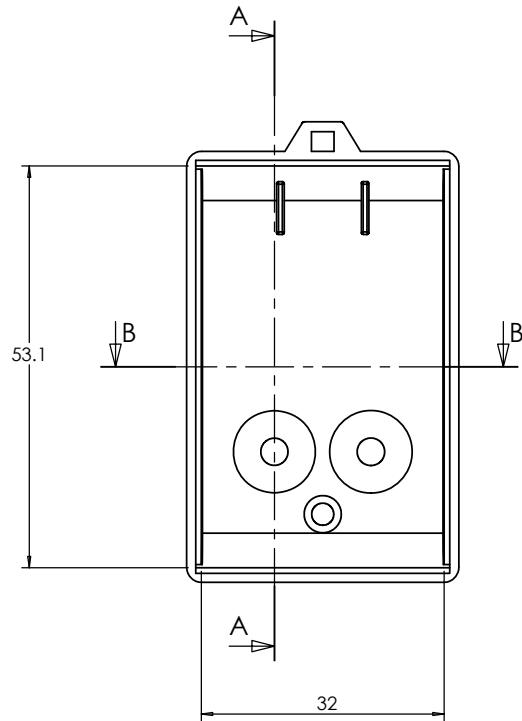
SECTION B-B


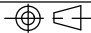


ISO VIEW



SECTION A-A



 WWW.ORNATUS.SE				UNLESS OTHERWISE SPECIFIED: DIMENSIONS ARE IN MILLIMETERS		DO NOT SCALE DRAWING		REVISION. 0					
				FINISH: LIGHT SPARK		TITLE: PART DRG FOR -23 LID (2-BUTTON)							
DRAWN		NAME		SIGNED		DATE		MATERIAL.		DWG NO.		A4	
CHK'D		-		-		-		ABS		632482 LID (2-button)			
				PROJECTION.				SCALE: 1 : 1		SHEET 1 OF 1			