

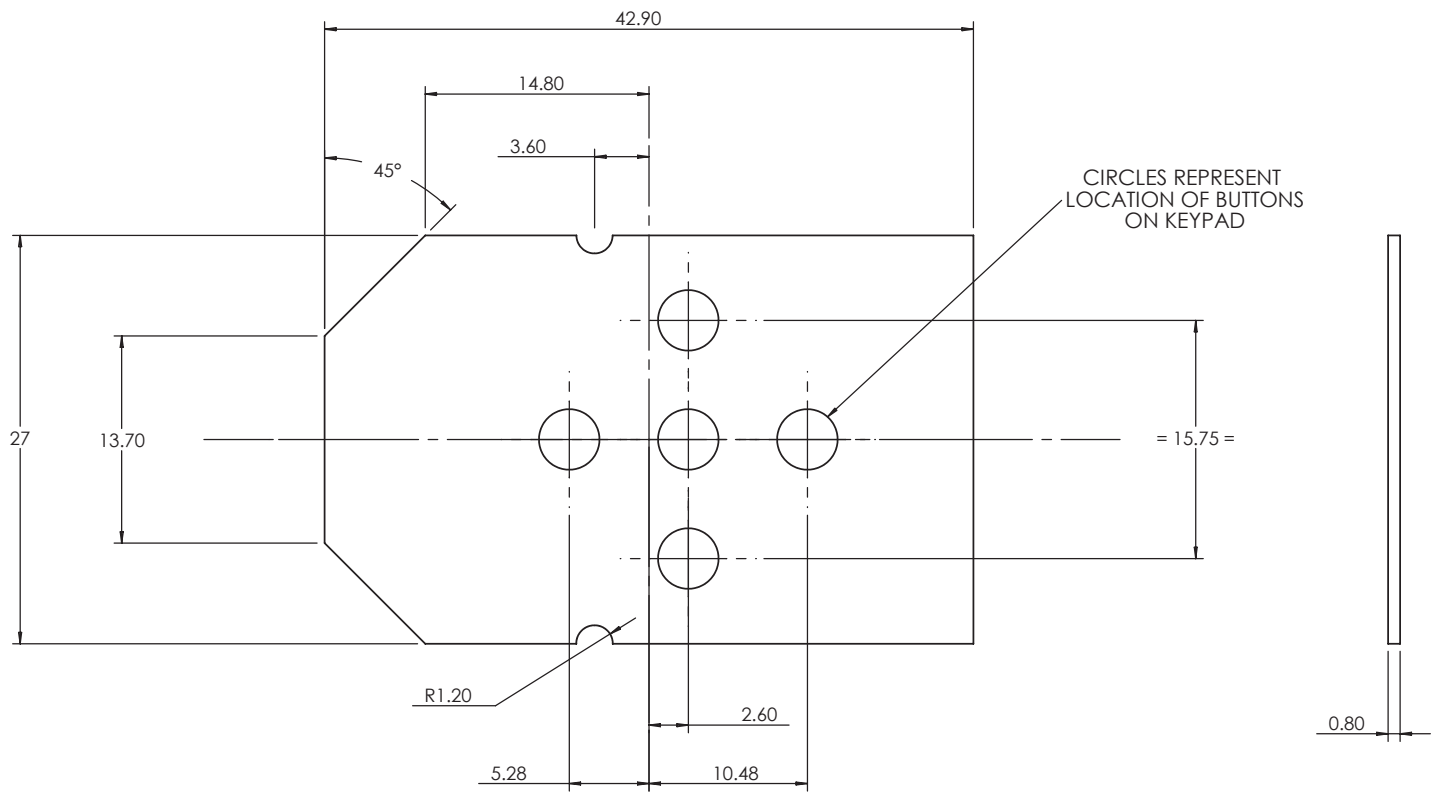
TOP


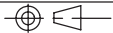
ESCUTCHEON

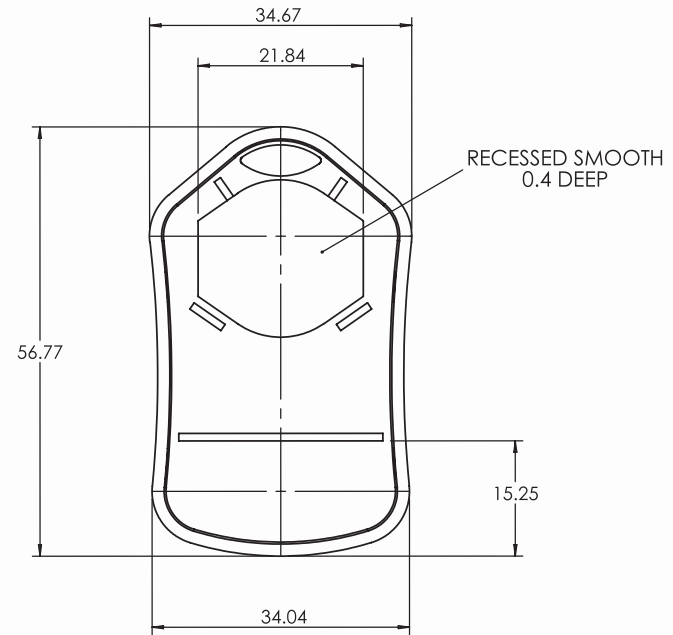
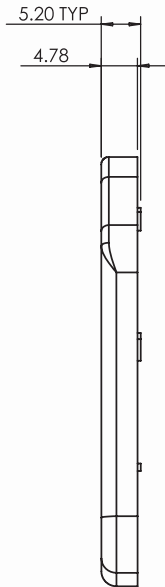
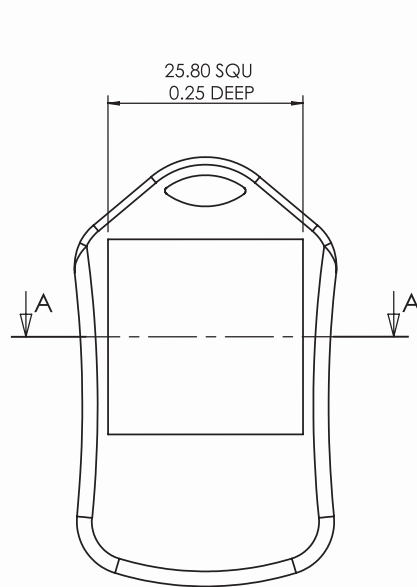
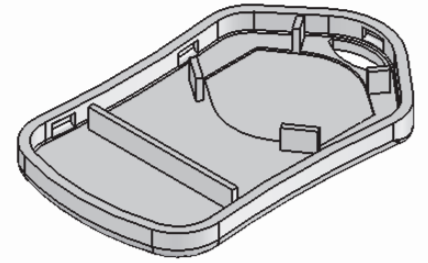
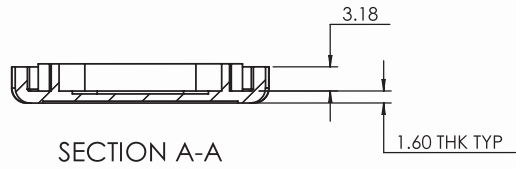
FLEXIBLE BUTTON

BASE

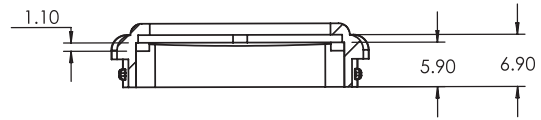
ORNATUS® WWW.ORNATUS.SE				UNLESS OTHERWISE SPECIFIED: DIMENSIONS ARE IN MILLIMETERS		DO NOT SCALE DRAWING		REVISION. 0	
				FINISH. LIGHT SPARKED		TITLE: GENERAL ASSEMBLY DRG			
DRAWN		NAME	SIGNED	DATE	MATERIAL.		DWG NO.		A4
S.HARDINGE		SJH	22/01/07	ABS		632451..455			
CHK'D		-	-	-	PROJECTION.		SHEET 1 OF 1		



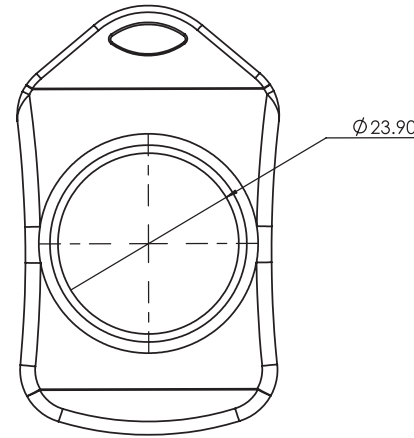
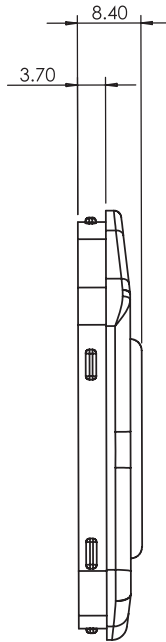
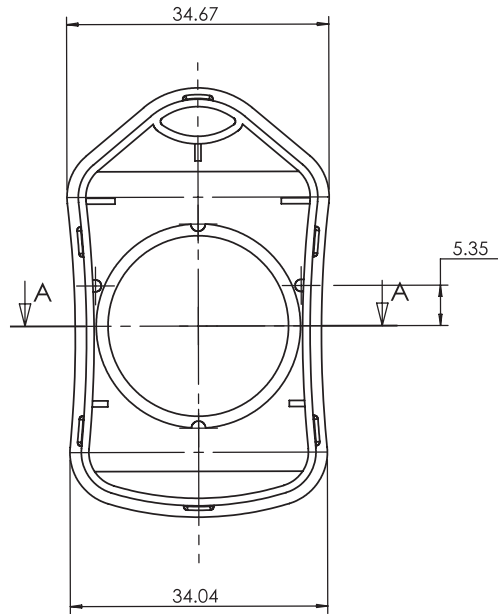
 WWW.ORNATUS.SE				UNLESS OTHERWISE SPECIFIED: DIMENSIONS ARE IN MILLIMETERS		DO NOT SCALE DRAWING		REVISION. O		
				FINISH. -----		TITLE: PCB REP				
DRAWN		NAME	SIGNED	DATE	MATERIAL. -----		DWG NO. 632451..455 PCB rep		A4	
CHK'D		-	-	-	PROJECTION. 		SCALE: 2 : 1		SHEET 1 OF 1	





 ORNATUS [®] WWW.ORNATUS.SE				UNLESS OTHERWISE SPECIFIED: DIMENSIONS ARE IN MILLIMETERS		DO NOT SCALE DRAWING		REVISION. 0	
				FINISH. LIGHT SPARK		TITLE: PART DRG FOR ● BASE			
DRAWN S.HARDINGE		SIGNED SJH	DATE 26/06/06	MATERIAL. ABS		DWG NO.		Base	
CHK'D -		-	-	PROJECTION.		SCALE. 1 : 1		SHEET 1 OF 1	
						A4			

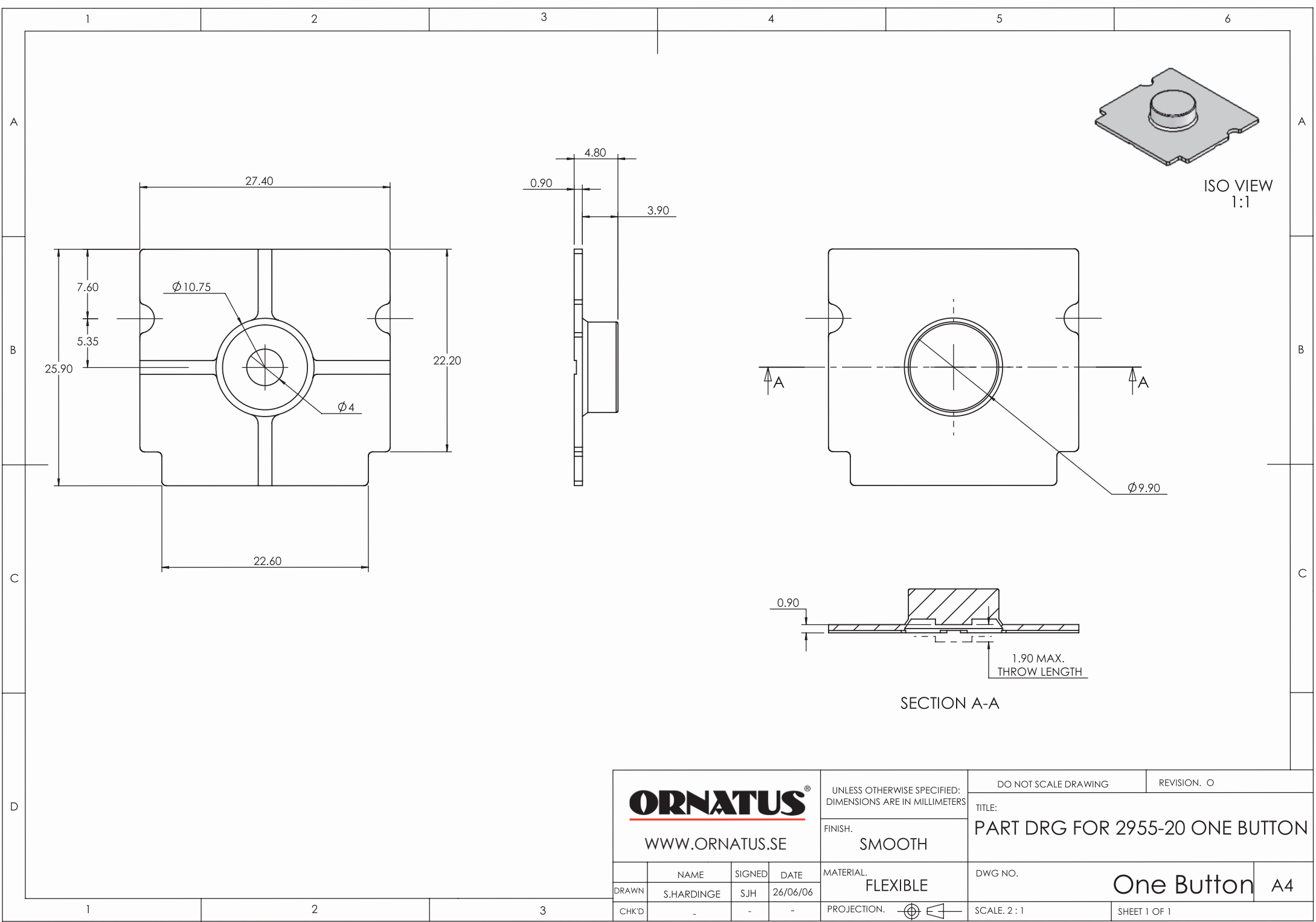


SECTION A-A

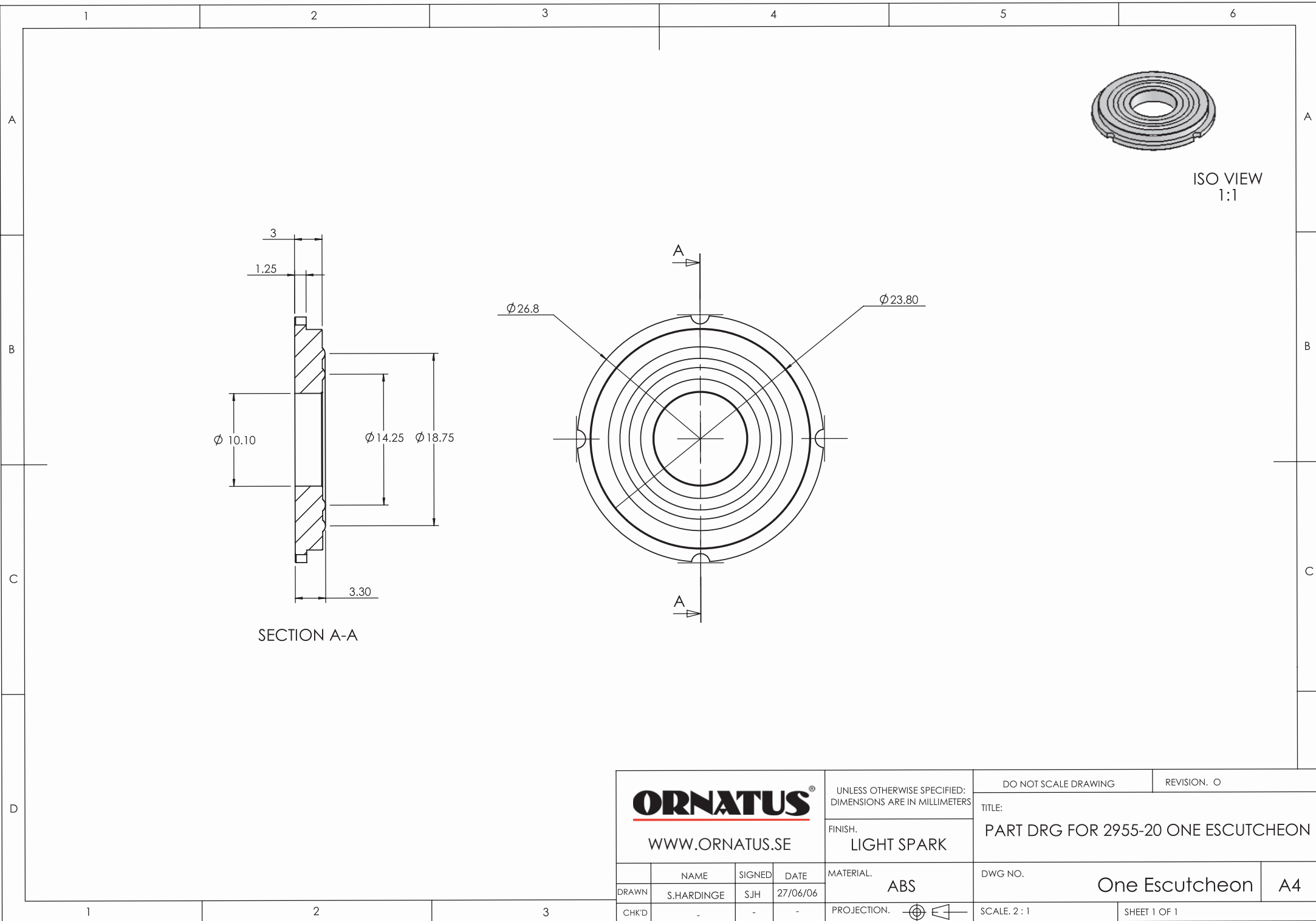




ISO VIEW

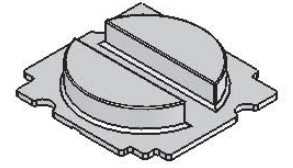
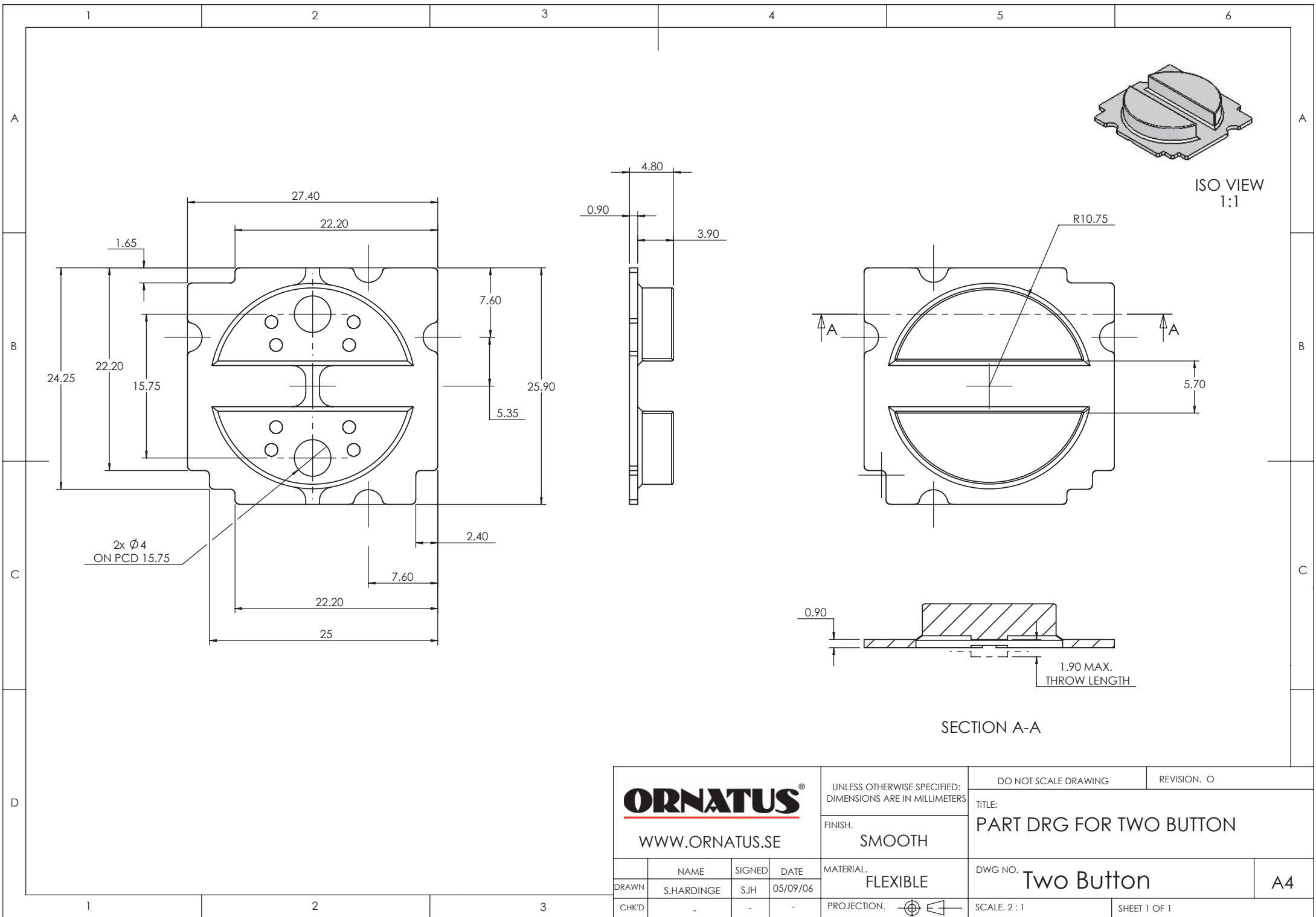
 WWW.ORNATUS.SE				UNLESS OTHERWISE SPECIFIED: DIMENSIONS ARE IN MILLIMETERS		DO NOT SCALE DRAWING	REVISION. O	
				FINISH. LIGHT SPARK		TITLE: PART DRG FOR TOP		
DRAWN	NAME S.HARDINGE	SIGNED SJH	DATE 27/06/06	MATERIAL. ABS	DWG NO.		Top	A4
CHK'D	-	-	-	PROJECTION. 	SCALE. 1 : 2	SHEET 1 OF 1		



 WWW.ORNATUS.SE				UNLESS OTHERWISE SPECIFIED: DIMENSIONS ARE IN MILLIMETERS		DO NOT SCALE DRAWING		REVISION. 0		
				FINISH. SMOOTH		TITLE: PART DRG FOR 2955-20 ONE BUTTON				
DRAWN		NAME	SIGNED	DATE	MATERIAL. FLEXIBLE		DWG NO.		One Button	A4
CHK'D		S.HARDINGE	SJH	26/06/06	PROJECTION.		SCALE: 2 : 1			
		-	-	-			SHEET 1 OF 1			



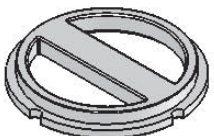
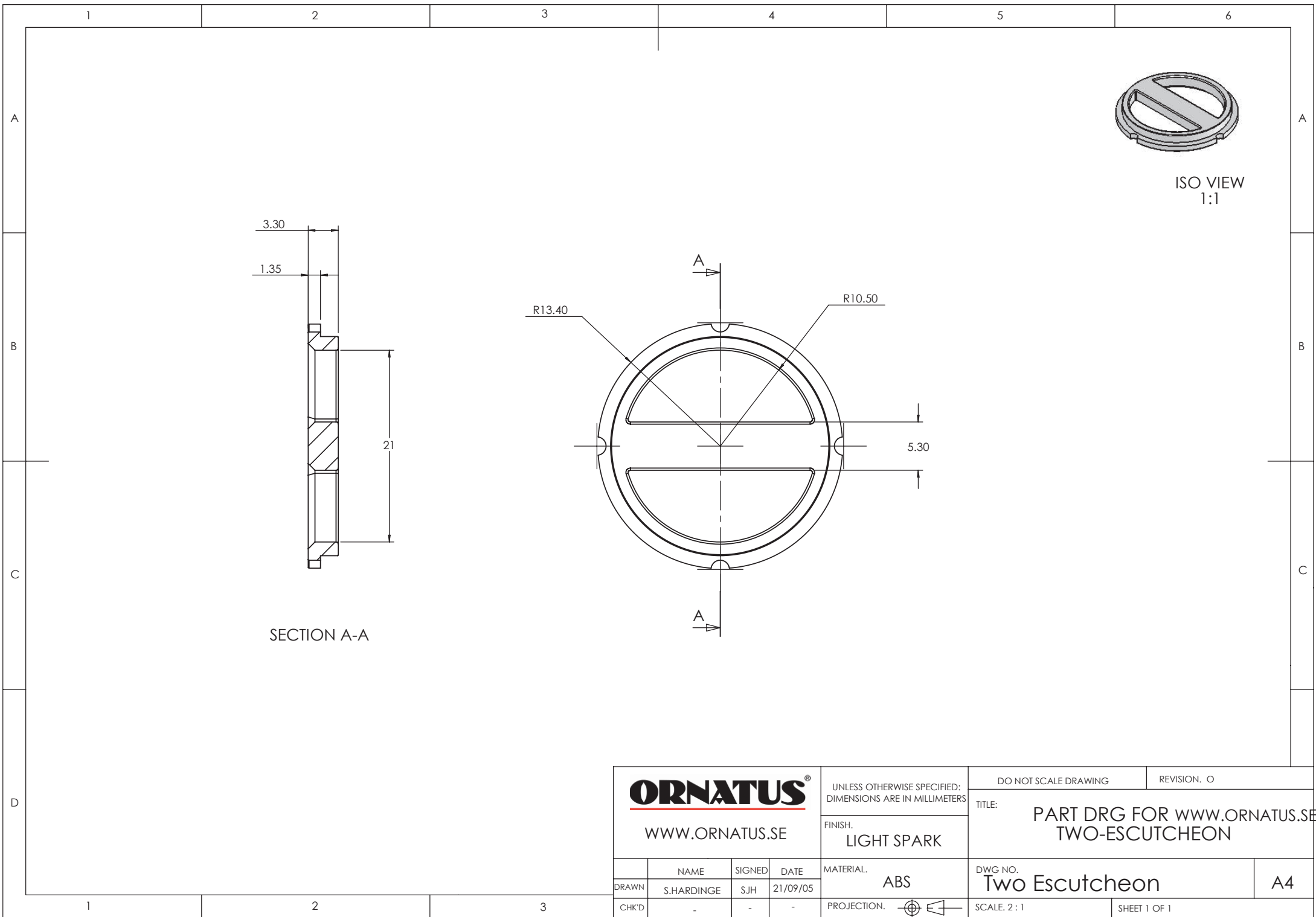
 WWW.ORNATUS.SE				UNLESS OTHERWISE SPECIFIED: DIMENSIONS ARE IN MILLIMETERS		DO NOT SCALE DRAWING	REVISION. O	
				FINISH. LIGHT SPARK		TITLE: PART DRG FOR 2955-20 ONE ESCUTCHEON		
DRAWN	NAME S.HARDINGE	SIGNED SJH	DATE 27/06/06	MATERIAL. ABS		DWG NO.	One Escutcheon	A4
CHK'D	-	-	-	PROJECTION. 		SCALE. 2 : 1	SHEET 1 OF 1	



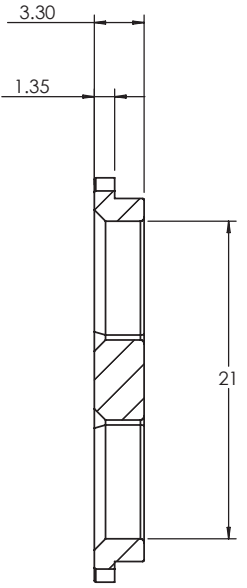
ISO VIEW
1:1

SECTION A-A

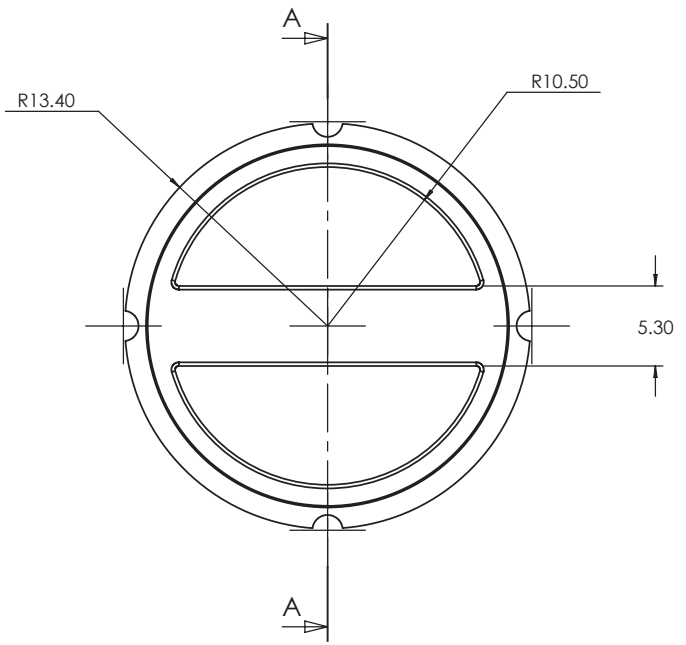
 ORNATUS [®] WWW.ORNATUS.SE				UNLESS OTHERWISE SPECIFIED: DIMENSIONS ARE IN MILLIMETERS		DO NOT SCALE DRAWING		REVISION. 0	
				FINISH. SMOOTH		TITLE: PART DRG FOR TWO BUTTON			
DRAWN S.HARDINGE		SIGNED SJH	DATE 05/09/06	MATERIAL. FLEXIBLE		DWG NO. Two Button		A4	
CHK'D -		-	-	PROJECTION.		SCALE. 2 : 1		SHEET 1 OF 1	



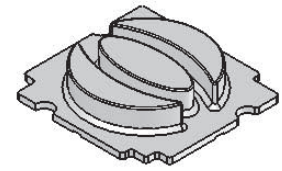
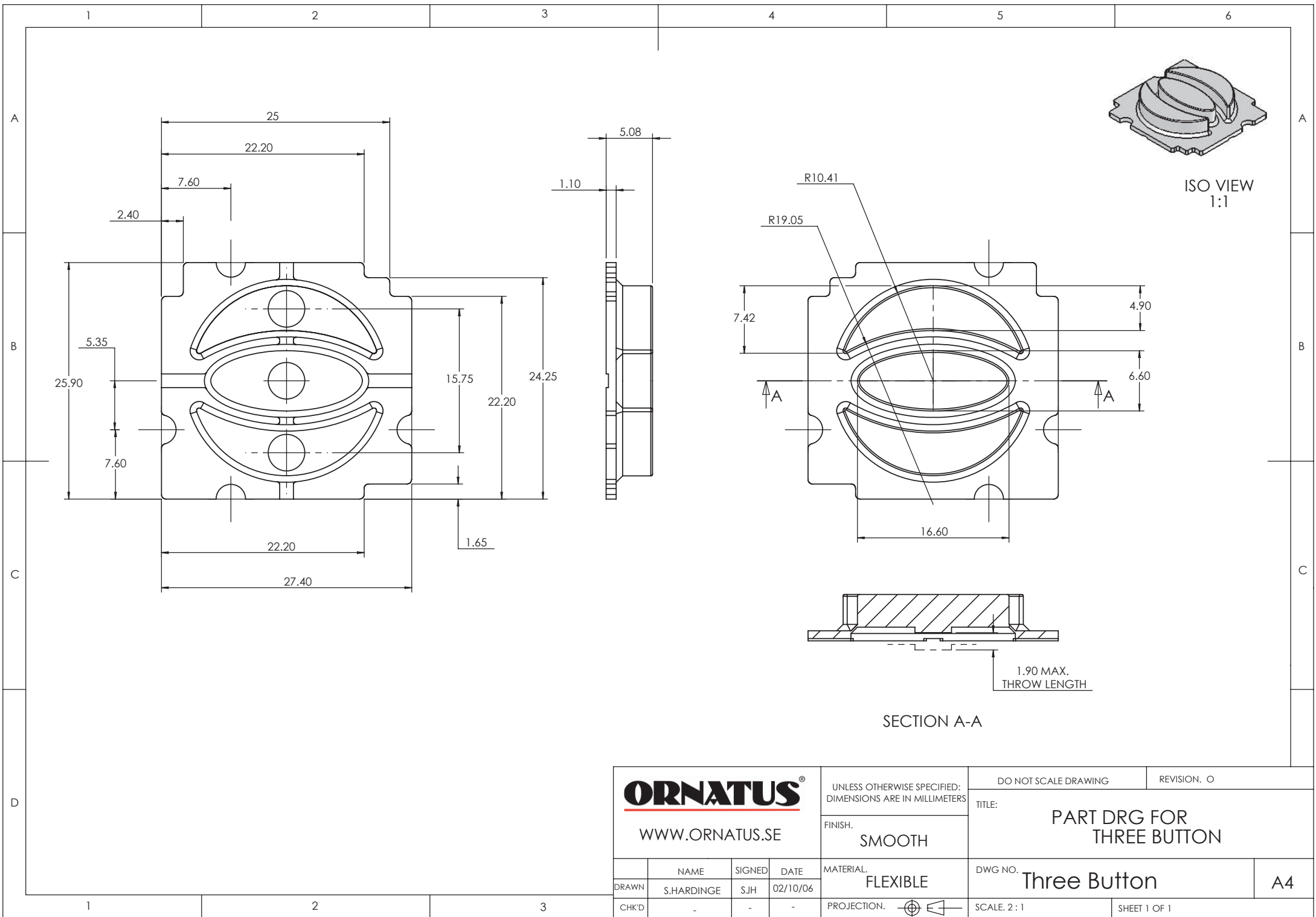
ISO VIEW
1:1



SECTION A-A



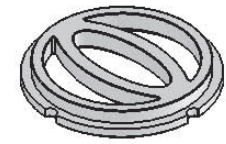
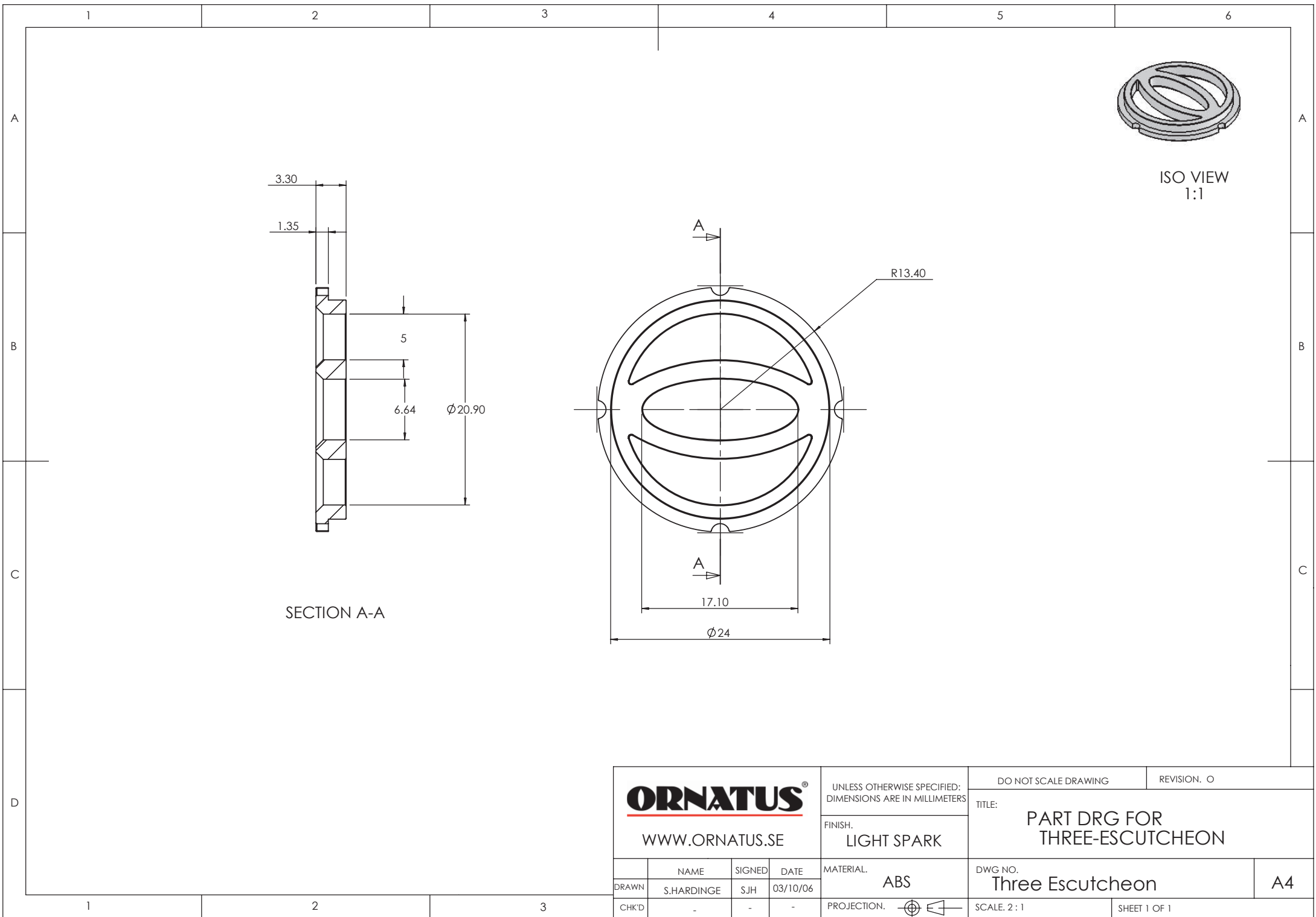
ORNATUS® WWW.ORNATUS.SE				UNLESS OTHERWISE SPECIFIED: DIMENSIONS ARE IN MILLIMETERS		DO NOT SCALE DRAWING		REVISION. 0	
				FINISH: LIGHT SPARK		TITLE: PART DRG FOR WWW.ORNATUS.SE TWO-ESCUTCHEON			
DRAWN		NAME	SIGNED	DATE	MATERIAL.		DWG NO.		A4
S.HARDINGE		SJH	-	21/09/05	ABS		Two Escutcheon		
CHK'D		-	-	-	PROJECTION.		SCALE: 2:1		SHEET 1 OF 1



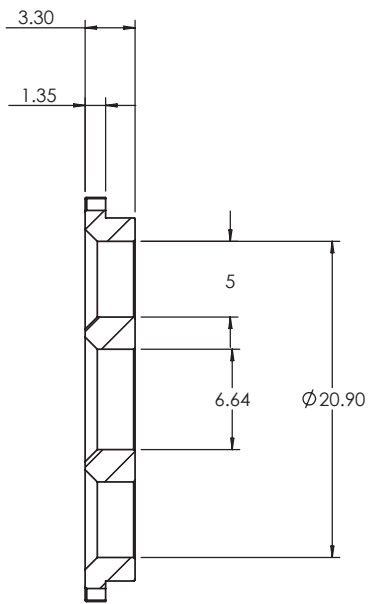
ISO VIEW
1:1

SECTION A-A

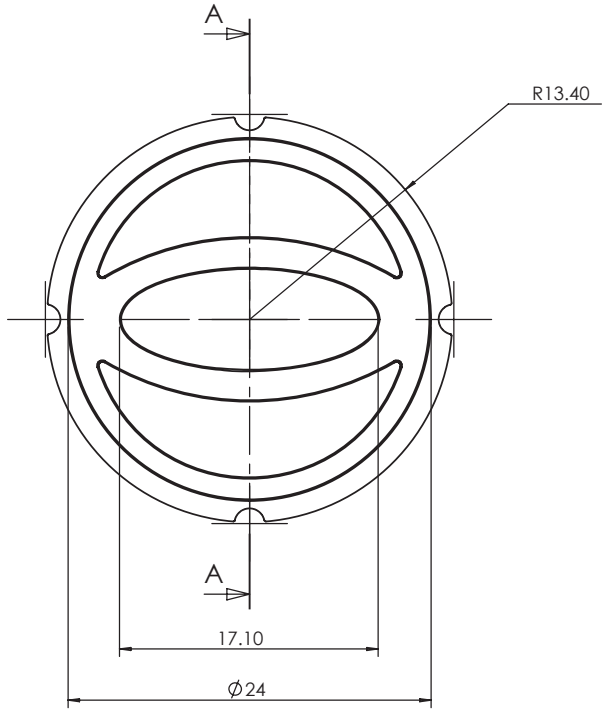
 WWW.ORNATUS.SE				UNLESS OTHERWISE SPECIFIED: DIMENSIONS ARE IN MILLIMETERS		DO NOT SCALE DRAWING		REVISION. 0	
				FINISH. SMOOTH		TITLE: PART DRG FOR THREE BUTTON			
DRAWN S.HARDINGE		SIGNED SJH	DATE 02/10/06	MATERIAL. FLEXIBLE		DWG NO. Three Button		A4	
CHK'D -		-	-	PROJECTION.		SCALE. 2 : 1		SHEET 1 OF 1	




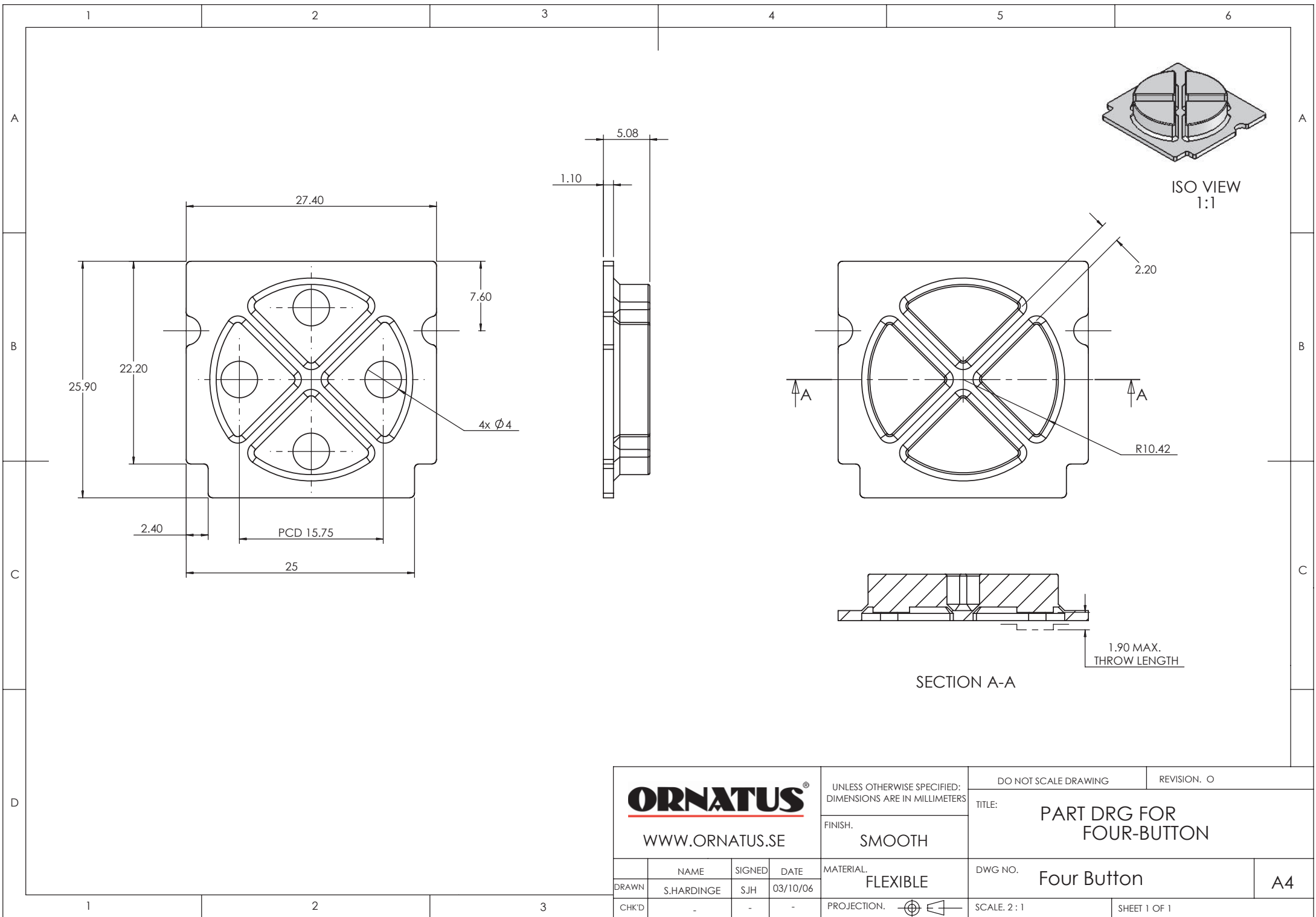
ISO VIEW
1:1


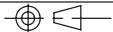


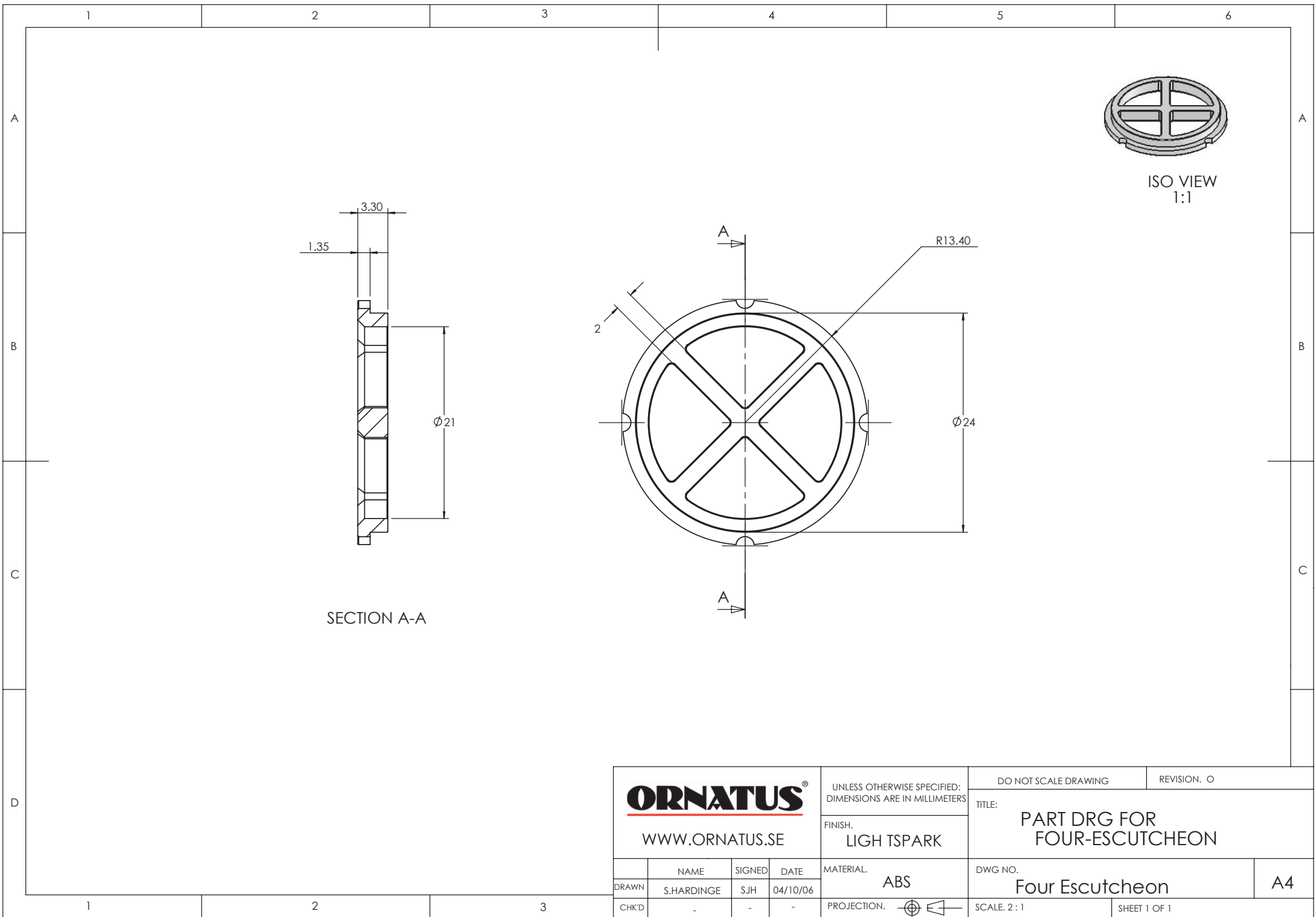
SECTION A-A



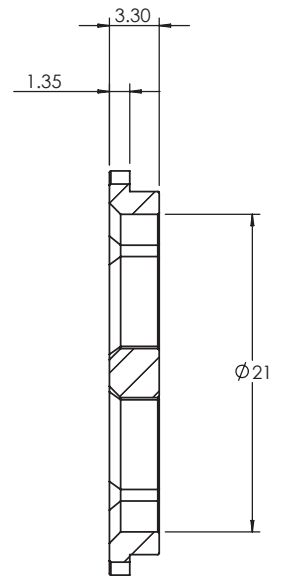
 WWW.ORNATUS.SE				UNLESS OTHERWISE SPECIFIED: DIMENSIONS ARE IN MILLIMETERS		DO NOT SCALE DRAWING		REVISION. 0	
				FINISH. LIGHT SPARK		TITLE: PART DRG FOR THREE-ESCUTCHEON			
DRAWN		NAME	SIGNED	DATE	MATERIAL.		DWG NO.		A4
S.HARDINGE		SJH	03/10/06	ABS		Three Escutcheon			
CHK'D		-	-	-	PROJECTION.		SCALE: 2:1		SHEET 1 OF 1



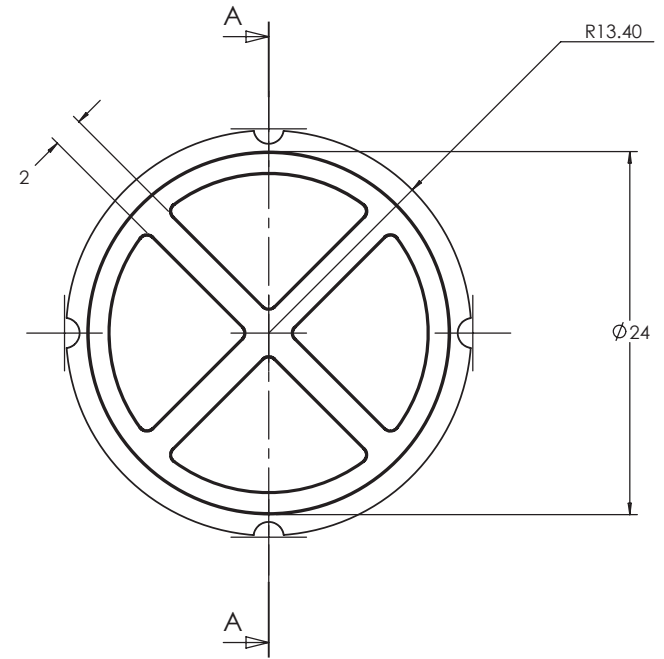
 UNLESS OTHERWISE SPECIFIED: DIMENSIONS ARE IN MILLIMETERS				DO NOT SCALE DRAWING		REVISION. O	
				TITLE: PART DRG FOR FOUR-BUTTON			
WWW.ORNATUS.SE				FINISH. SMOOTH		DWG NO. Four Button	
DRAWN	NAME	SIGNED	DATE	MATERIAL. FLEXIBLE		SCALE: 2 : 1	
CHK'D	S.HARDINGE	SJH	03/10/06	PROJECTION. 		SHEET 1 OF 1	
	-	-	-			A4	




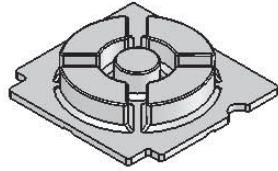
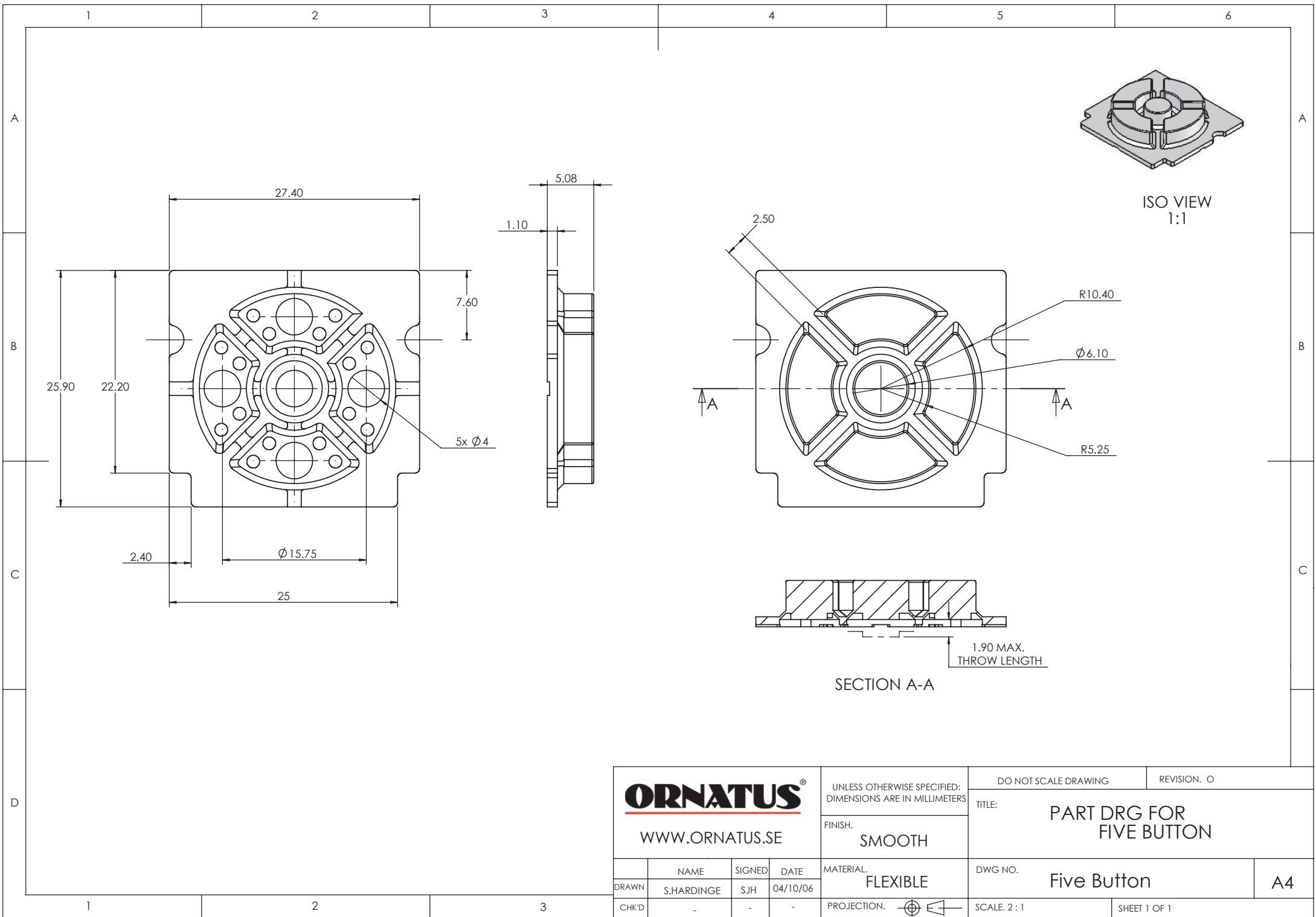
ISO VIEW
1:1



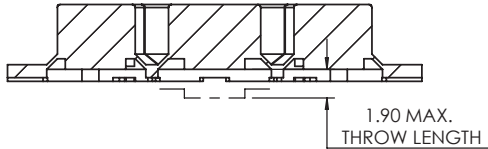
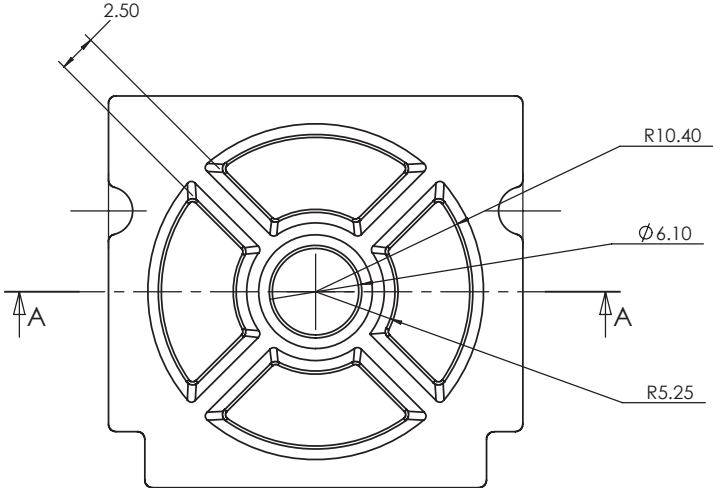
SECTION A-A



 WWW.ORNATUS.SE				UNLESS OTHERWISE SPECIFIED: DIMENSIONS ARE IN MILLIMETERS		DO NOT SCALE DRAWING		REVISION. 0	
				FINISH: LIGH TSPARK		TITLE: PART DRG FOR FOUR-ESCUTCHEON			
DRAWN		NAME	SIGNED	DATE	MATERIAL.		DWG NO.		A4
S.HARDINGE		SJH	04/10/06	ABS		Four Escutcheon			
CHK'D		-	-	-	PROJECTION.		SCALE. 2 : 1		SHEET 1 OF 1

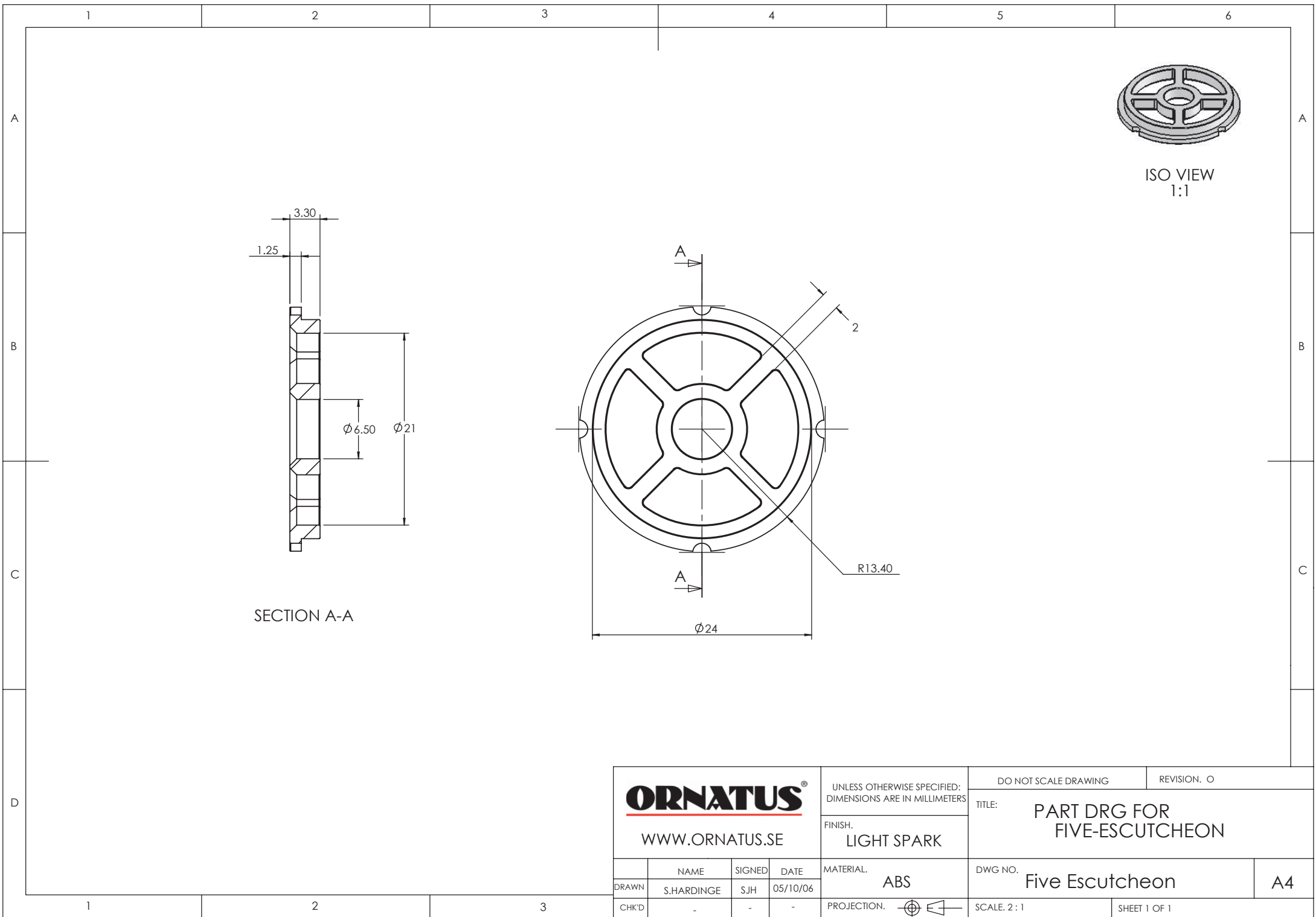


ISO VIEW
1:1

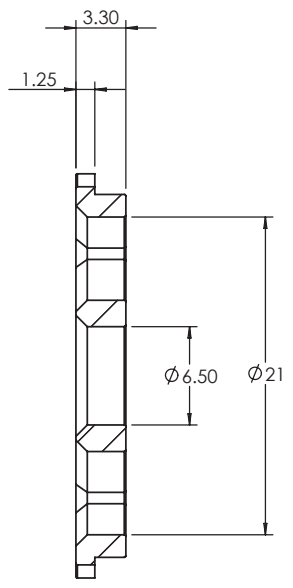


SECTION A-A

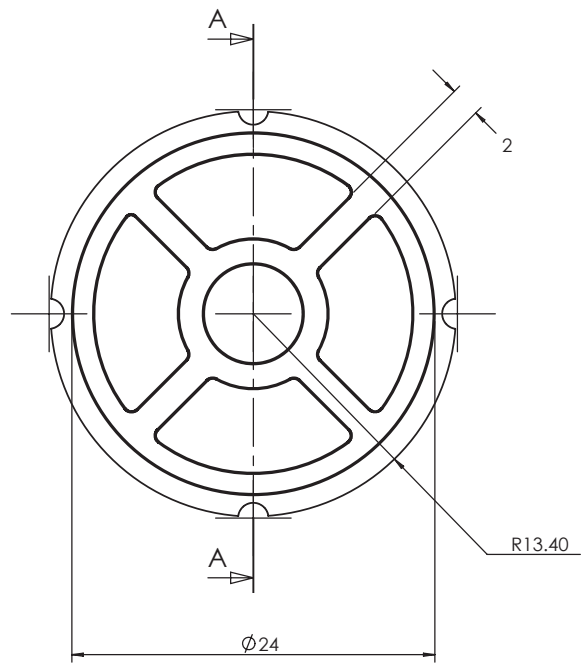
 ORNATUS [®] WWW.ORNATUS.SE				UNLESS OTHERWISE SPECIFIED: DIMENSIONS ARE IN MILLIMETERS		DO NOT SCALE DRAWING		REVISION. O	
				FINISH. SMOOTH		TITLE: PART DRG FOR FIVE BUTTON			
DRAWN S.HARDINGE		SIGNED SJH	DATE 04/10/06	MATERIAL. FLEXIBLE		DWG NO. Five Button		A4	
CHK'D -		-	-	PROJECTION.		SCALE: 2:1		SHEET 1 OF 1	


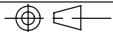


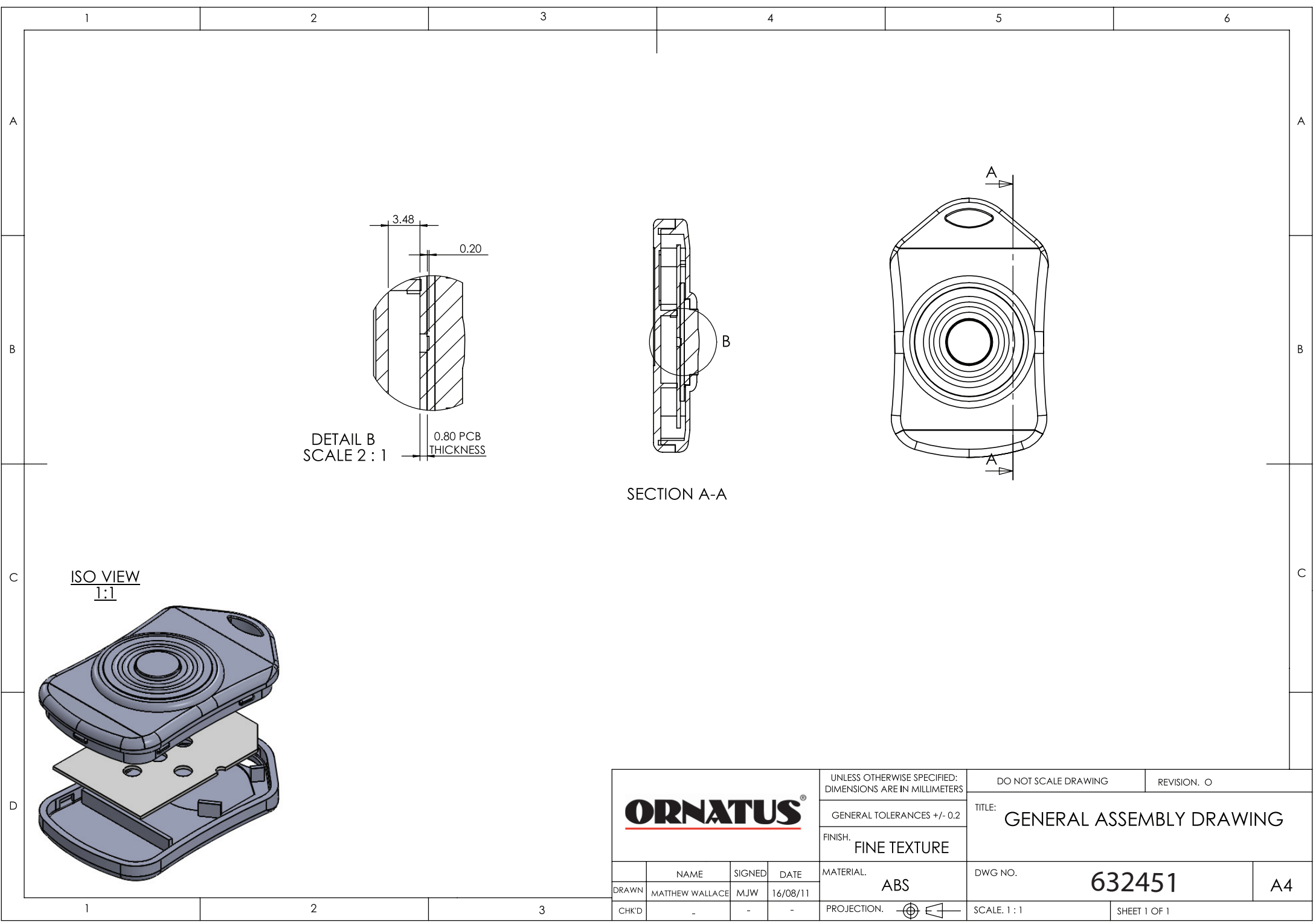
ISO VIEW
1:1



SECTION A-A



 WWW.ORNATUS.SE				UNLESS OTHERWISE SPECIFIED: DIMENSIONS ARE IN MILLIMETERS		DO NOT SCALE DRAWING		REVISION. O	
				FINISH: LIGHT SPARK		TITLE: PART DRG FOR FIVE-ESCUTCHEON			
DRAWN S.HARDINGE		SIGNED SJH	DATE 05/10/06	MATERIAL. ABS		DWG NO. Five Escutcheon			A4
CHK'D -		-	-	PROJECTION. 		SCALE. 2 : 1		SHEET 1 OF 1	



ISO VIEW
1:1

DETAIL B
SCALE 2 : 1
0.80 PCB
THICKNESS

SECTION A-A

				UNLESS OTHERWISE SPECIFIED: DIMENSIONS ARE IN MILLIMETERS		DO NOT SCALE DRAWING		REVISION. 0			
				GENERAL TOLERANCES +/- 0.2		TITLE: GENERAL ASSEMBLY DRAWING					
				FINISH. FINE TEXTURE							
DRAWN		NAME	SIGNED	DATE	MATERIAL.		DWG NO.		A4		
MATTHEW WALLACE		MJW	16/08/11	ABS		632451					
CHK'D		-	-	-	PROJECTION.		SCALE: 1 : 1		SHEET 1 OF 1		