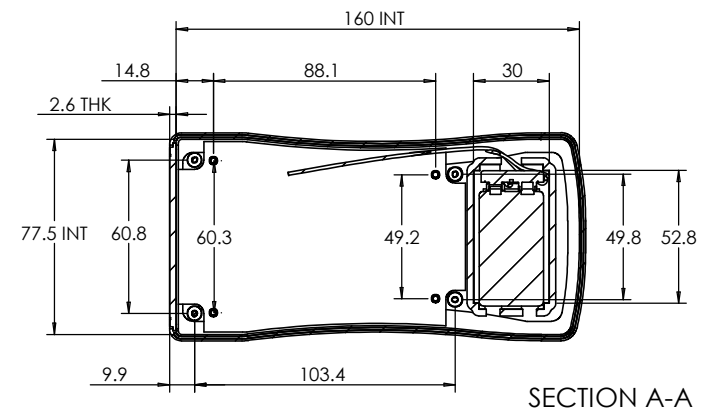
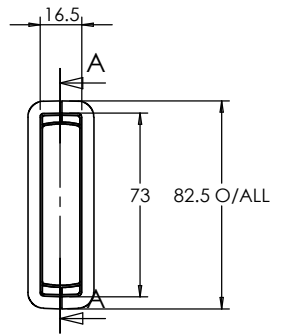
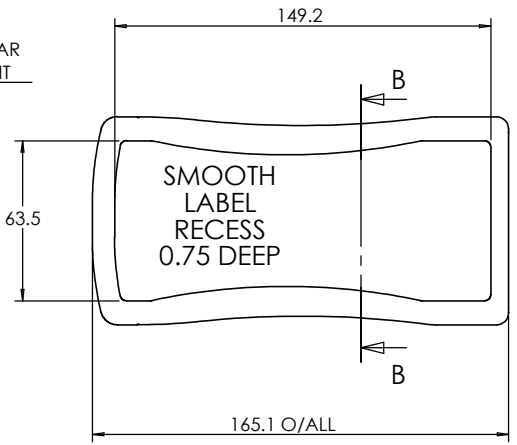
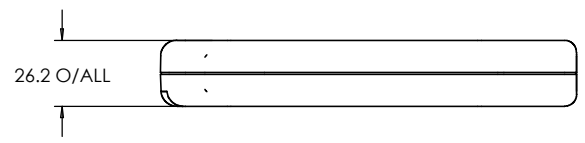

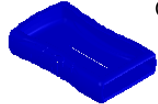


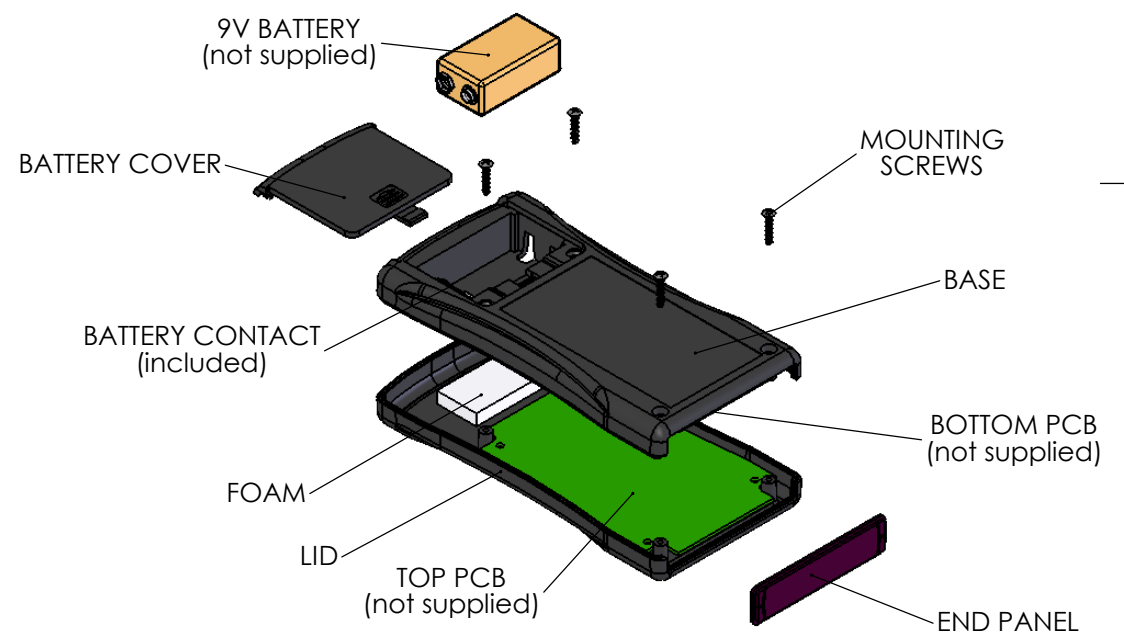
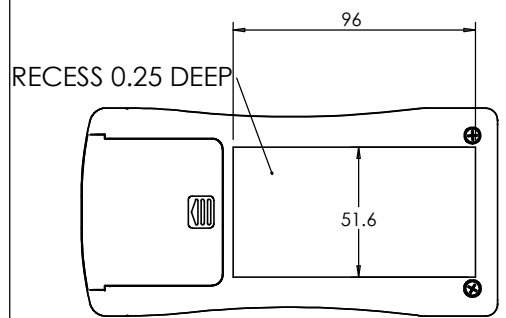
SECTION B-B


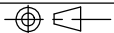


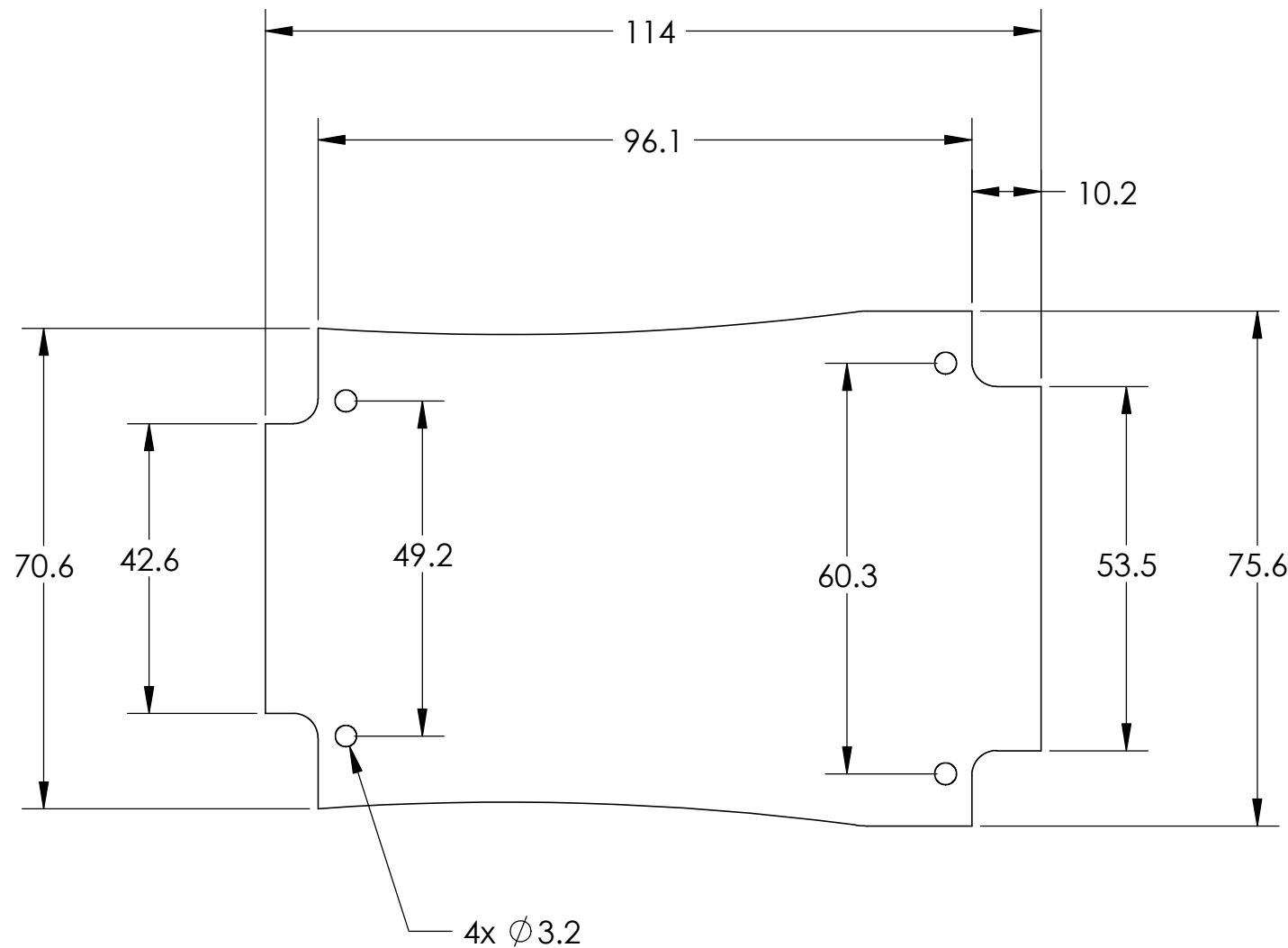
SECTION A-A



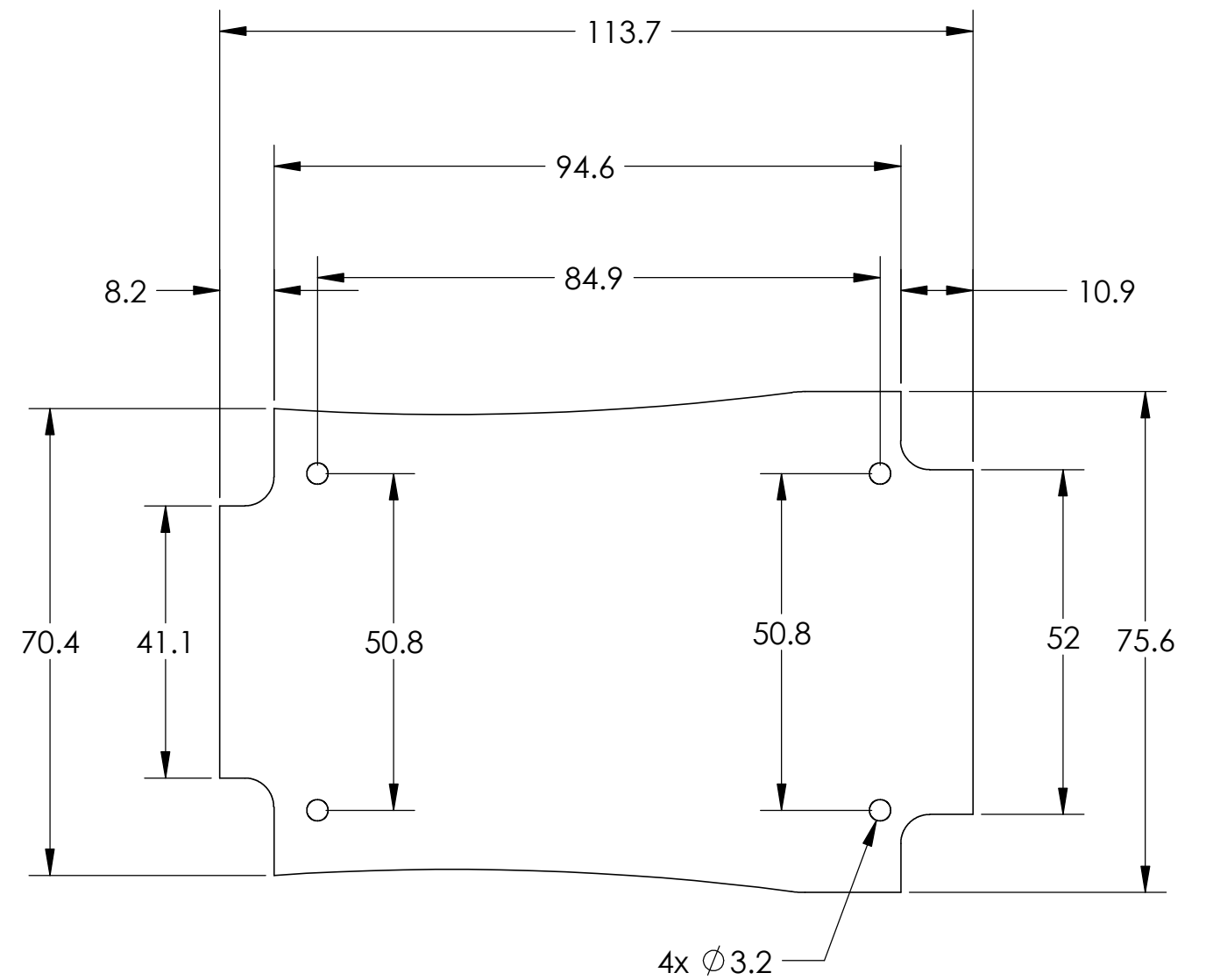
- RUBBER BOOT (OPTIONAL)**
-  CHH453BBK
  -  CHH453BBL
  -  CHH453BRD



 JAMES CARTER RD, MILDENHALL, SUFFOLK, IP28 7DE TEL: 01638 716101 FAX: 01638 716554 E-MAIL: Sales@CamdenBoss.com WEB: www.CamdenBoss.com		UNLESS OTHERWISE SPECIFIED: DIMENSIONS ARE IN MILLIMETERS	DO NOT SCALE DRAWING	REVISION. 0		
		FINISH: FINE TEXTURE SMOOTH LABEL RECESS	TITLE: <b>GENERAL ASSEMBLY DRG FOR 45 SERIES PALM CASES</b>			
DRAWN	NAME	SIGNED	DATE	MATERIAL: UL94-5VA ABS BLACK	DWG NO. CHH458PBK	A4
CHK'D	L.SUBKHANKULOVA	LS	07/01/11	PROJECTION. 	SCALE: 1 : 3	SHEET 1 OF 1

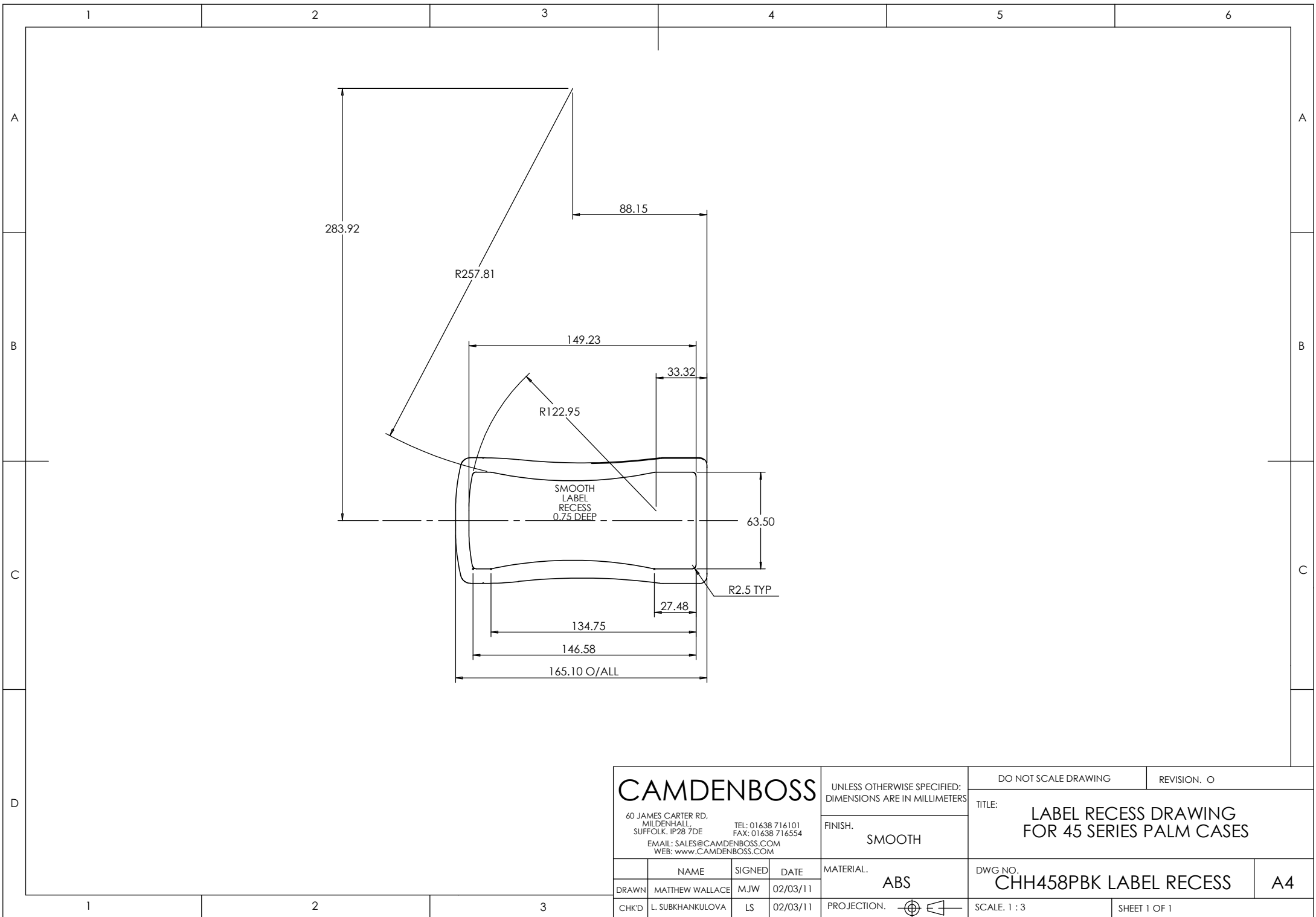


TOP PCB MOCK-UP



BOTTOM PCB MOCK-UP

<b>CAMDENBOSS</b> 60 JAMES CARTER RD MILDENHALL SUFFOLK. IP28 7DE TEL: 01638 716101 FAX: 01638 716554 EMAIL: SALES@CAMDENBOSS.COM WEB: WWW.CAMDENBOSS.COM				UNLESS OTHERWISE SPECIFIED: DIMENSIONS ARE IN MILLIMETERS		DO NOT SCALE DRAWING		REVISION: 0		
				FINISH: N/A		TITLE: PCB MOCK-UP DRG				
DRAWN: MATTHEW WALLACE		SIGNATURE: MJW		DATE: 07/01/11		MATERIAL: N/A		DWG NO. CHH458PBK PCB		A3
CHK'D: L.SUBKHANKULOVA		SIGNATURE: LS		DATE: 07/01/11		PROJECTION:		SCALE: 1:1		SHEET 1 OF 1



# CAMDENBOSS

60 JAMES CARTER RD.  
 MILDENHALL  
 SUFFOLK. IP28 7DE  
 TEL: 01638 716101  
 FAX: 01638 716554  
 EMAIL: SALES@CAMDENBOSS.COM  
 WEB: WWW.CAMDENBOSS.COM

UNLESS OTHERWISE SPECIFIED:  
 DIMENSIONS ARE IN MILLIMETERS

DO NOT SCALE DRAWING

REVISION. O

FINISH.  
 SMOOTH

TITLE:  
 LABEL RECESS DRAWING  
 FOR 45 SERIES PALM CASES

	NAME	SIGNED	DATE
DRAWN	MATTHEW WALLACE	MJW	02/03/11
CHK'D	L. SUBKHANKULOVA	LS	02/03/11

MATERIAL.  
 ABS  
 PROJECTION.

DWG NO.  
 CHH458PBK LABEL RECESS  
 SCALE: 1 : 3

A4